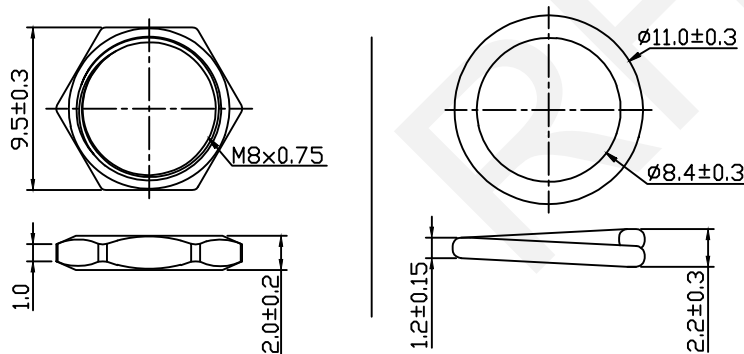
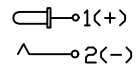


SPECIFICATION
 Rated Load: DC 20V 10A
 Contact Resistance: 30mΩ, Max
 Insulation Resistance: 100MΩ, Min
 Withstand Voltage: AC150V
 Actuating Force: 3-30N
 Life: 5000 Cycles
 Operating Temperature: -25°C-85°C

PCB LAYOUT TOP VIEW



SCHMATIC



NO	Description	QTY	Material	Plating
1	PIN	1	Zinc Alloy	Ni-Plating
2	Contact Foot	1	Bronze	Sn-Plating
3	Contact Foot	1	Zinc Alloy	Ni-Plating
4	PEG	1	Brass	Ni-Plating
5	Housing	1	PBT	---
6	NUT	1	Brass	Ni-Plating
7	Split Washer	1	Iron	Ni-Plating

RHTECP NINGBO RHT ELECTRONIC CO.,LTD

UNITS:mm	SHEET SIZE: A4			SCALE:---	DRWN BY PAN
0~3	3~18	18~50	50~120	CHK'D BY FENG	THIRD ANGLE PROJECTION
±0.12	±0.15	±0.3	±0.5	APPR BY ZHAN	

20V 10A DC Jack DIP

RHTAYDC-052