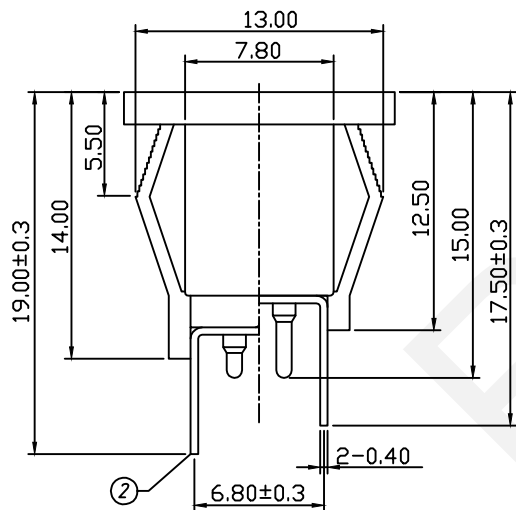


PCB LAYOUT TOP VIEW



NO	Description	QTY	Material	Plating
1	Housing	1	PA66	---
2	Contact Foot	2	Brass	Sn-Plating
3	PIN	2	Brass	Ni-Plating

SPECIFICATION

Rated Load:DC 50V 3A

Contact Resistance:30mΩ, Max

Insulation Resistance:100MΩ, Min

Withstand Voltage:AC500V

Actuating Force:3-20N

Life:5000 Cycles

Operating Temperature:-25°C-85°C

**RHTECP** NINGBO RHT ELECTRONIC CO.,LTD

UNITS:mm	SHEET SIZE: A4			SCALE:---	DRWN BY PAN
0~3	3~18	18~50	50~120	CHK'D BY FENG	THIRD ANGLE PROJECTION 
±0.12	±0.15	±0.3	±0.5	APPR BY ZHAN	

50V 3A DC Jack DIP

RHTAYDC-054