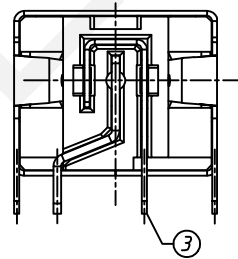
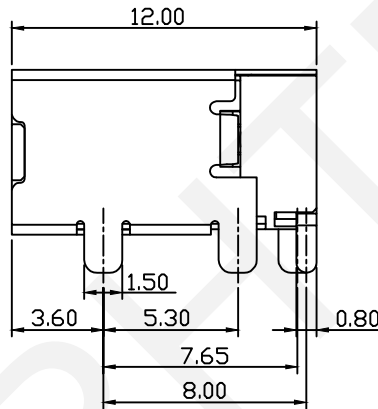
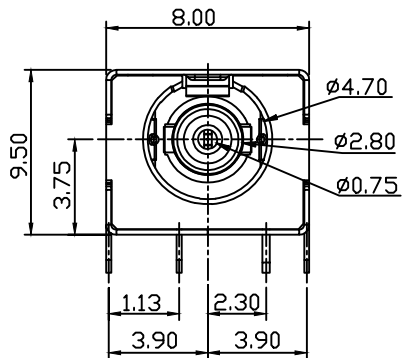
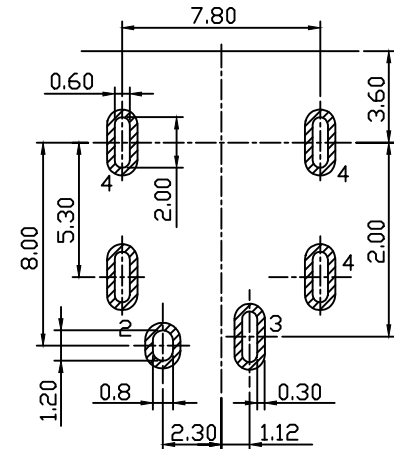
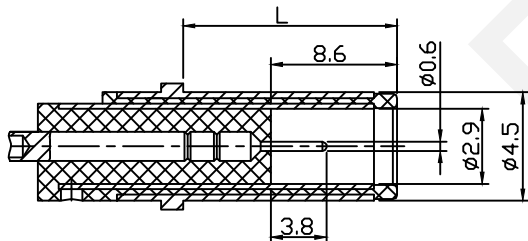
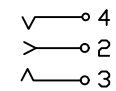


PCB LAYOUT TOP VIEW



SCHEMATIC



RECOMMENDED PLUG

NO	Description	QTY	Material	Plating
1	Housing	1	PA9T	---
2	PIN	1	Brass	Au-Plating
3	Spring	1	Bronze	Au-Plating
4	Shell	1	Bronze	Ni-Plating

SPECIFICATION

Rated Load:DC 24V 6.5A
 Contact Resistance:30m Ω , Max
 Insulation Resistance:100M Ω , Min
 Withstand Voltage:AC500V
 Actuating Force:3-20N
 Life:5000 Cycles
 Operating Temperature:-30°C-70°C

RHTECP NINGBO RHT ELECTRONIC CO.,LTD

UNITS:mm	SHEET SIZE: A4			SCALE:---	DRWN BY PAN
0~3	3~18	18~50	50~120	CHK'D BY FENG	THIRD ANGLE PROJECTION
±0.12	±0.15	±0.3	±0.5	APPR BY ZHAN	

24V 6.5A DC Jack DIP

RHTAYDC-053