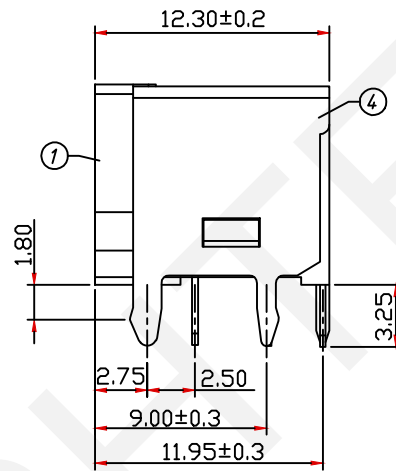
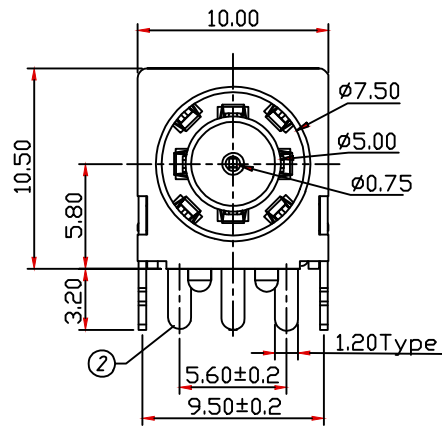
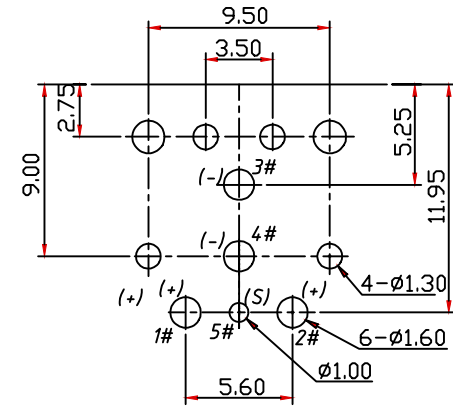


ELECTRICAL SCHEMATIC

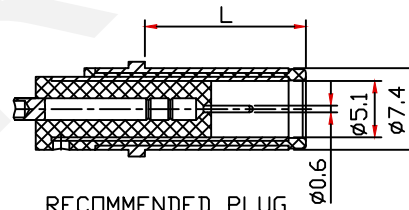
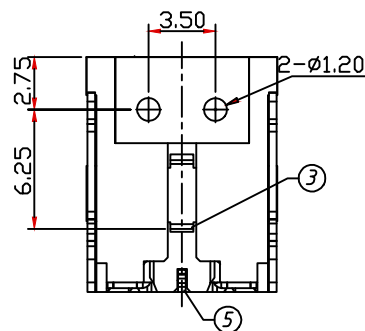
- 3# SPRING (-)
- 1# TIP SPRING (+)
- 5# SIGNAL TERMINAL
- 2# TIP SPRING (+)
- 4# SPRING (-)

PCB LAYOUT TOP VIEW



SPECIFICATION

Rated Load:DC 20V 10A
 Contact Resistance:30mΩ, Max
 Insulation Resistance:100MΩ, Min
 Withstand Voltage:AC150V
 Actuating Force:3-30N
 Life:5000 Cycles
 Operating Temperature:-25°C-85°C



RECOMMENDED PLUG

NO	Description	QTY	Material	Plating
1	Housing	1	PBT	---
2	Spring Piece	1	Bronze	Au-Plating
3	Spring Piece	1	Bronze	Au-Plating
4	Coat	1	SPCC	Ni-Plating
5	Signal Terminal	1	SUS301	Au-Plating

NINGBO RHT ELECTRONIC CO.,LTD

UNITS:mm	SHEET SIZE: A4			SCALE:---
0~3	3~18	18~50	50~120	
±0.12	±0.15	±0.3	±0.5	

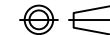
DRWN BY PAN

CHK'D BY FENG

APPR BY ZHAN

20V 10A DC Jack DIP

THIRD ANGLE PROJECTION



RHTAYDC-051