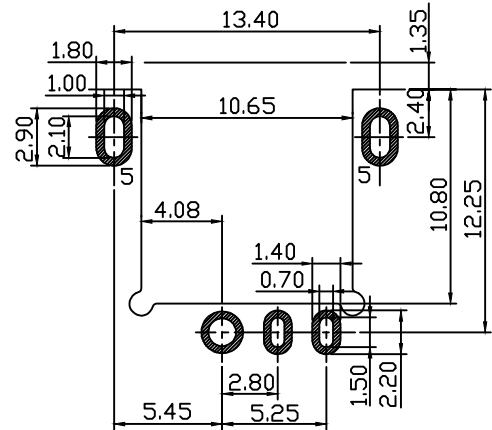
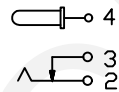
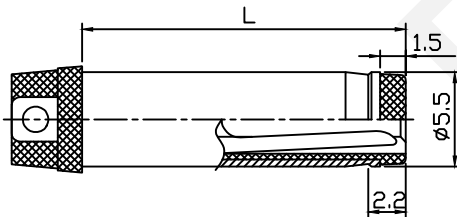
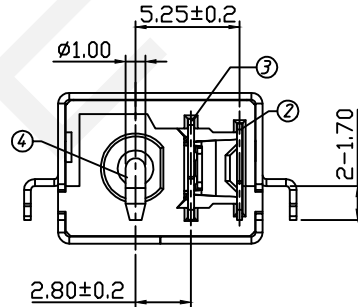
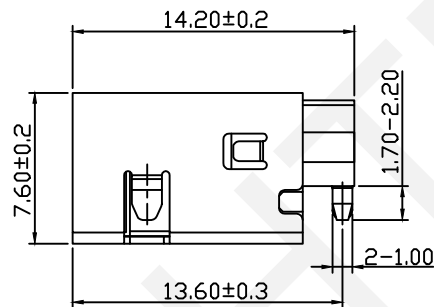
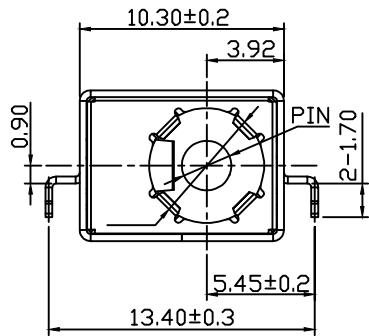


SCHEMA TIC



PCB LAYOUT TOP VIEW



RECOMMENDED PLUG

NO	Description	QTY	Material	Plating
1	Housing	1	LCP	---
2	Spring Piece	1	Bronze	Ag-Plating
3	Contact Foot	1	Brass	Ag-Plating
4	PIN	1	Brass	Au-Plating
5	Coat	1	Brass	Ni-Plating
6	Spring Piece	1	SUS301	---
7	Spring Piece	1	LCP	---

SPECIFICATION

Rated Load:DC 20V 5.5A

Contact Resistance:30mΩ, Max

Insulation Resistance:100MΩ, Min

Withstand Voltage:AC500V

Actuating Force:5-30N

Life:5000 Cycles

Operating Temperature:-30°C-70°C

RHTECP NINGBO RHT ELECTRONIC CO.,LTD

UNITS:mm	SHEET SIZE: A4			SCALE:---	DRWN BY PAN
0~3	3~18	18~50	50~120	CHK'D BY FENG	THIRD ANGLE PROJECTION 
±0.12	±0.15	±0.3	±0.5	APPR BY ZHAN	

20V 5.5A DC Jack Mid Mount 2.90mm

RHTAYDC-047