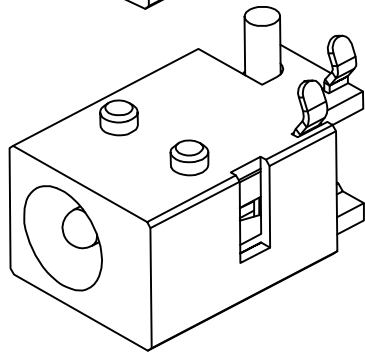
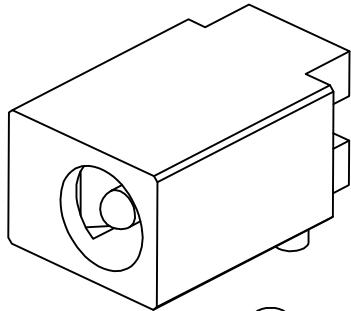
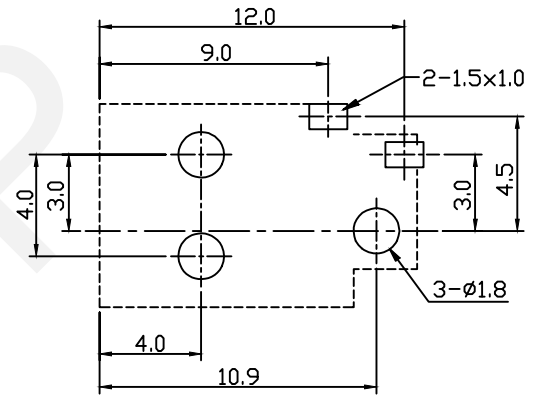
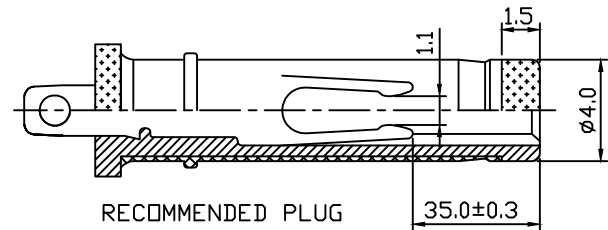
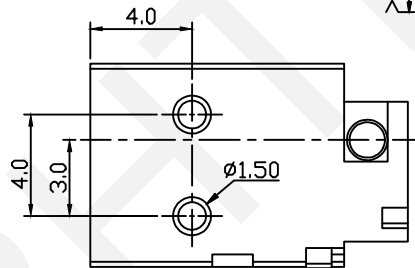
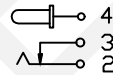


PCB LAYOUT TOP VIEW



SCHEMATIC



RECOMMENDED PLUG

ND	Description	QTY	Material	Plating
1	Housing	1	PBT/PA9T	---
2	Spring	1	Brass	Ag-Plating
3	Curve Piece	1	Brass	Ag-Plating
4	PIN	1	Bronze	Ni-Plating

SPECIFICATION

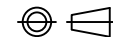
Rated Load:DC 30V 2A  
 Contact Resistance:30mΩ, Max  
 Insulation Resistance:100MΩ, Min  
 Withstand Voltage:AC500V  
 Actuating Force:3-20N  
 Life:5000 Cycles  
 Operating Temperature:-30°C-70°C

RHTECP NINGBO RHT ELECTRONIC CO.,LTD

UNITS:mm	SHEET SIZE: A4			SCALE:---	DRWN BY PAN
0~3	3~18	18~50	50~120	CHK'D BY FENG	
±0.12	±0.15	±0.3	±0.5	APPR BY ZHAN	

30V 2A DC Jack DIP

THIRD ANGLE PROJECTION



RHTAYDC-046