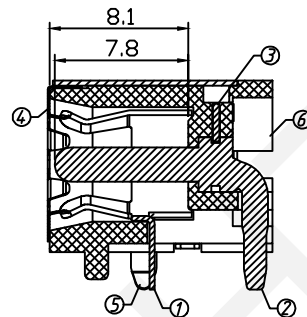
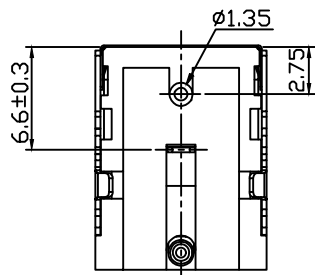
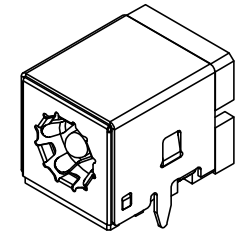
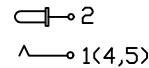


T:1.6 Dimensions of PC board holes
Tolerance:±0.05(Printed-top view)



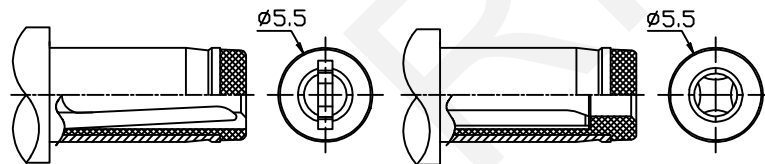
PIN	∅2.0	∅2.5
APPO		

SCHEMATIC



SPECIFICATION

Rated Load:DC 24V 10A
Contact Resistance:30mΩ, Max
Insulation Resistance:100MΩ, Min
Withstand Voltage:AC500V
Actuating Force:5-30N
Life:5000 Cycles
Operating Temperature:-30°C-70°C



NO	Description	QTY	Material	Plating
1	Spring Piece	1	Bronze	Ag-Plating
2	PIN	1	Zinc Alloy	Ni-Plating
3	PEG	1	Brass	N/A
4	Coat	1	SUS301	N/A
5	Shell	1	Bronze	Ni-Plating
6	Housing	1	PA9T	---

Recommended Plug
Rating:DC 24V 7A

Recommended Plug
Rating:DC 24V 10A

NINGBO RHT ELECTRONIC CO.,LTD

UNITS:mm	SHEET SIZE: A4			SCALE:---	DRWN BY PAN
0~3	3~18	18~50	50~120	CHK'D BY FENG	THIRD ANGLE PROJECTION
±0.12	±0.15	±0.3	±0.5	APPR BY ZHAN	

24V 10A DC Jack DIP

RHTAYDC-042