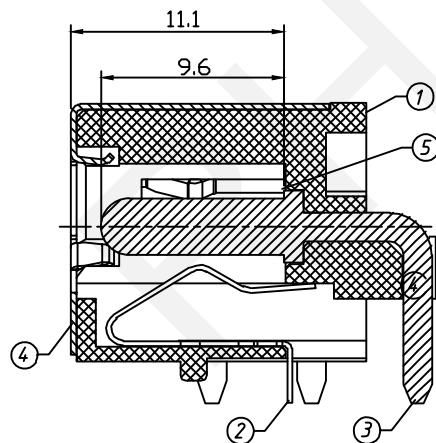
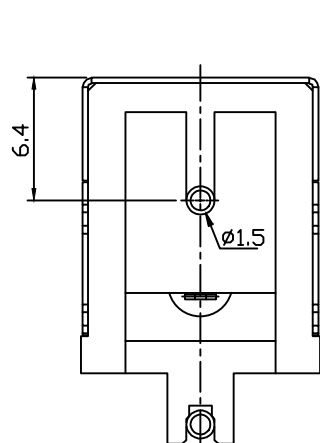
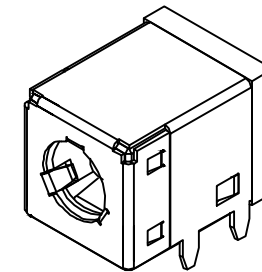
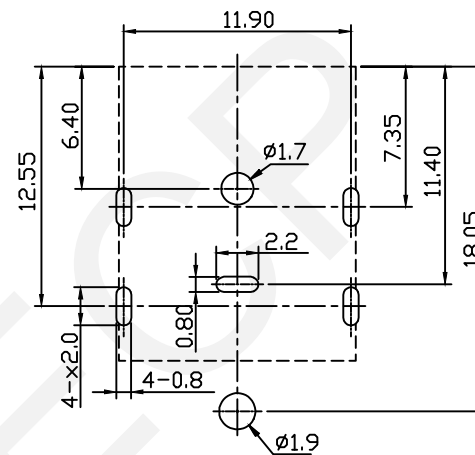
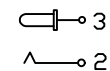


PCB LAYOUT TOP VIEW



PIN	∅2.0	∅2.5
APPO		

SCHEMATIC



SPECIFICATION

Rated Load:DC 24V 10A  
 Contact Resistance:30mΩ, Max  
 Insulation Resistance:100MΩ, Min  
 Withstand Voltage:AC500V  
 Actuating Force:5-30N  
 Life:5000 Cycles  
 Operating Temperature:-30°C-70°C

NO	Description	QTY	Material	Plating
1	Housing	1	PA9T	---
2	Spring Piece	1	Bronze	Sn-Plating
3	PIN	1	Bronze	Ag-Plating
4	Coat	1	SPCC	Ni-Plating
5	Spring Piece	1	SUS301	Sn-Plating

**RHTECP** NINGBO RHT ELECTRONIC CO.,LTD

UNITS:mm	SHEET SIZE: A4			SCALE:---	DRWN BY PAN
0~3	3~18	18~50	50~120	CHK'D BY FENG	THIRD ANGLE PROJECTION 
±0.12	±0.15	±0.3	±0.5	APPR BY ZHAN	

24V 10A DC Jack DIP

RHTAYDC-041