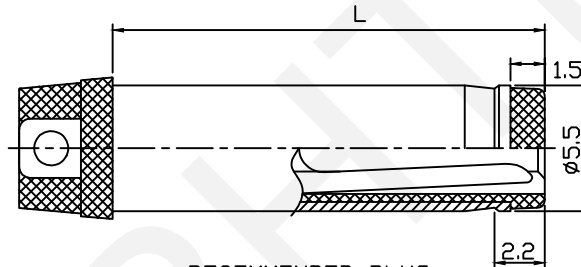
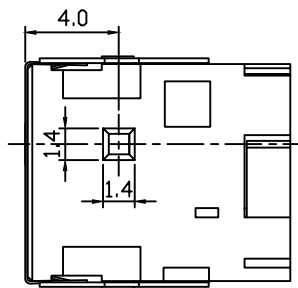
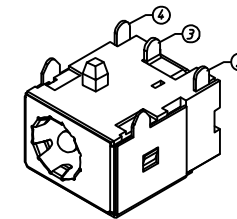
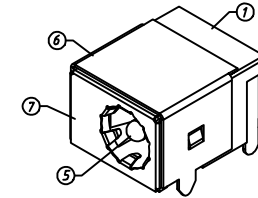
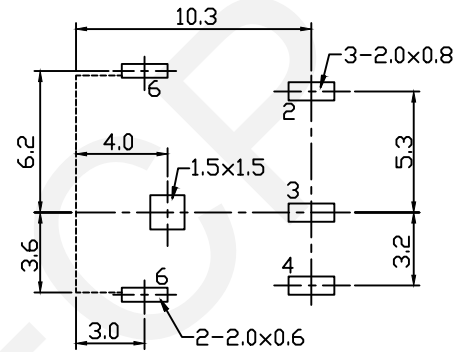


PCB LAYOUT TOP VIEW

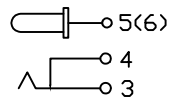


RECOMMENDED PLUG

SPECIFICATION

Rated Load:DC 30V 3A
 Contact Resistance:50mΩ, Max
 Insulation Resistance:100MΩ, Min
 Withstand Voltage:AC500V
 Actuating Force:3-20N
 Life:5000 Cycles
 Operating Temperature:-30°C-70°C

SCHEMATIC



PIN	Ø2.0	Ø2.5
APPD		

NO	Description	QTY	Material	Plating
1	Housing	1	LCP	---
2	Spring Piece	1	Bronze	Ag-Plating
3	Curve Piece	1	Brass	Ag-Plating
4	Contact Foot	1	Brass	Ag-Plating
5	PIN	1	Brass	Ni-Plating
6	Contact Foot	1	Brass	Ag-Plating
7	Cover	1	SUS301	Ni-Plating

RHTECP NINGBO RHT ELECTRONIC CO.,LTD

UNITS:mm	SHEET SIZE: A4			SCALE:---	DRWN BY PAN
0~3	3~18	18~50	50~120	CHK'D BY FENG	
±0.12	±0.15	±0.3	±0.5	APPR BY ZHAN	

30V 3A DC Jack DIP

THIRD ANGLE PROJECTION



RHTAYDC-018A