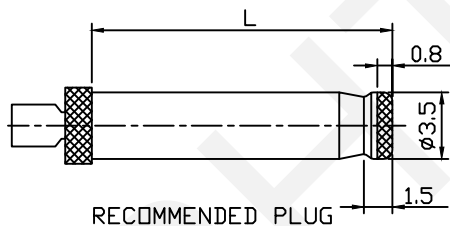
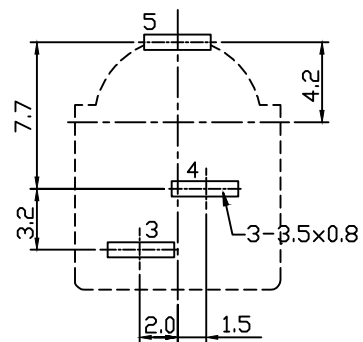
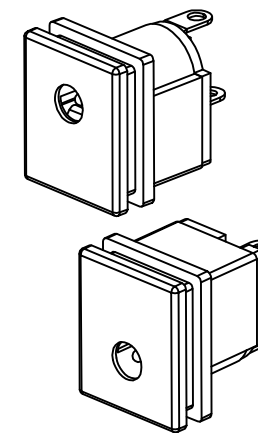
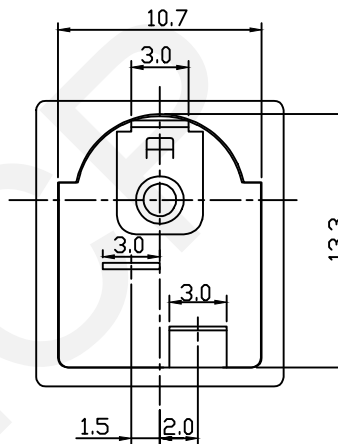
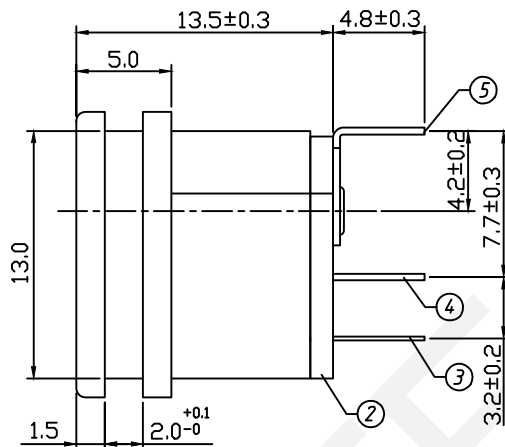
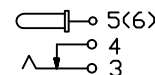


PCB LAYOUT TOP VIEW



SCHEMATIC



SPECIFICATION

Rated Load:DC 30V 2A

Contact Resistance:30mΩ, Max

Insulation Resistance:100MΩ, Min

Withstand Voltage:AC500V

Actuating Force:3~20N

Life:5000 Cycles

Operating Temperature:-30°C~70°C

NO	Description	QTY	Material	Plating
1	Housing	1	PBT	---
2	Cover	1	PF	---
3	Spring	1	SUS301	Sn-Plating
4	Flat Piece	1	Brass	Sn-Plating
5	Contact Foot	1	Brass	Sn-Plating
6	PIN	1	Brass	Ni-Plating

RHTECP NINGBO RHT ELECTRONIC CO.,LTD

UNITS:mm	SHEET SIZE: A4			SCALE:---	DRWN BY PAN
0~3	3~18	18~50	50~120	CHK'D BY FENG	THIRD ANGLE PROJECTION
±0.12	±0.15	±0.3	±0.5	APPR BY ZHAN	

30V 2A DC Jack DIP

RHTAYDC-015