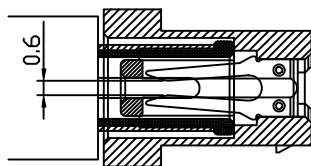
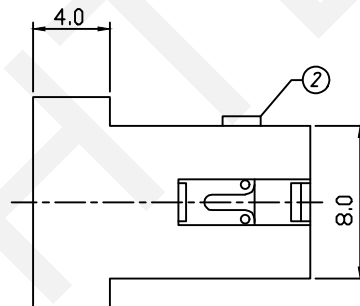
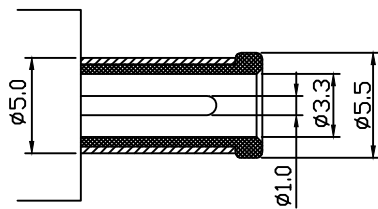
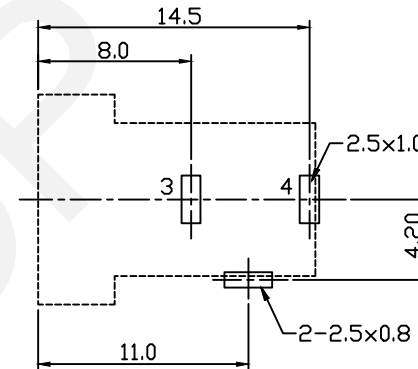
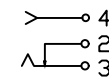


PCB LAYOUT TOP VIEW



SCHEMATIC



SPECIFICATION

Rated Load:DC 30V 3A

Contact Resistance:30mΩ, Max

Insulation Resistance:100MΩ, Min

Withstand Voltage:AC500V

Actuating Force:3-20N

Life:5000 Cycles

Operating Temperature:-30°C-70°C

ND	Description	QTY	Material	Plating
1	Housing	1	PBT	---
2	Curve Piece	1	Brass	Sn-Plating
3	Spring	1	Bronze	Sn-Plating
4	Contact Foot	1	Bronze	Sn-Plating

RHTECP NINGBO RHT ELECTRONIC CO.,LTD

UNITS:mm	SHEET SIZE: A4			SCALE:---
0~3	3~18	18~50	50~120	
±0.12	±0.15	±0.3	±0.5	

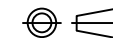
DRWN BY PAN

CHK'D BY FENG

APPR BY ZHAN

30V 3.0A DC Jack DIP

THIRD ANGLE PROJECTION



RHTAY13DC-038