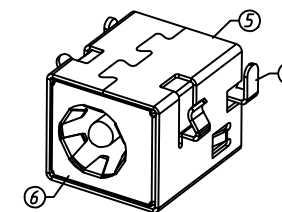
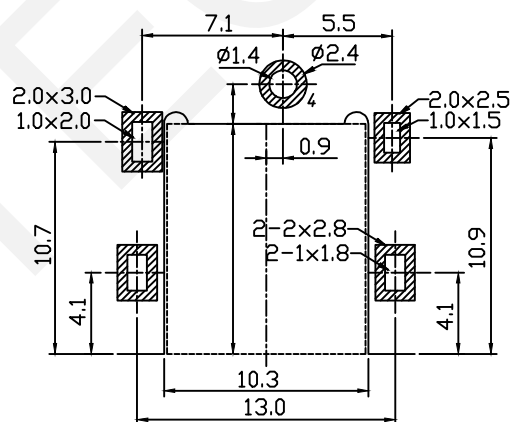
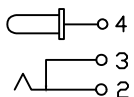


PCB LAYOUT TOP VIEW



PIN	∅2.0	∅2.5	∅1.65
APPD			

SCHEMATIC



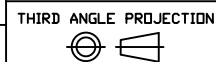
NO	Description	QTY	Material	Plating
1	Housing	1	PA9T	---
2	Spring Piece	1	Bronze	Ag-Plating
3	Contact Foot	1	Brass	Ag-Plating
4	PIN	1	Zinc Alloy	Ni-Plating
5	Coat	1	Iron	Ni-Plating
6	Spring Piece	1	SUS301	---

SPECIFICATION

Rated Load:DC 20V 5.5A
 Contact Resistance:30mΩ, Max
 Insulation Resistance:100MΩ, Min
 Withstand Voltage:AC500V
 Actuating Force:3~20N
 Life:5000 Cycles
 Operating Temperature:-30°C~70°C

RHTECP NINGBO RHT ELECTRONIC CO.,LTD

UNITS:mm	SHEET SIZE: A4				SCALE:---	DRWN BY PAN
0~3	3~18	18~50	50~120	CHK'D BY FENG	20V 5.5A DC Jack Mid Mount 1.65mm	
±0.12	±0.15	±0.3	±0.5	APPR BY ZHAN	THIRD ANGLE PROJECTION	RHTAY13DC-030



RHTAY13DC-030