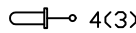
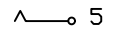
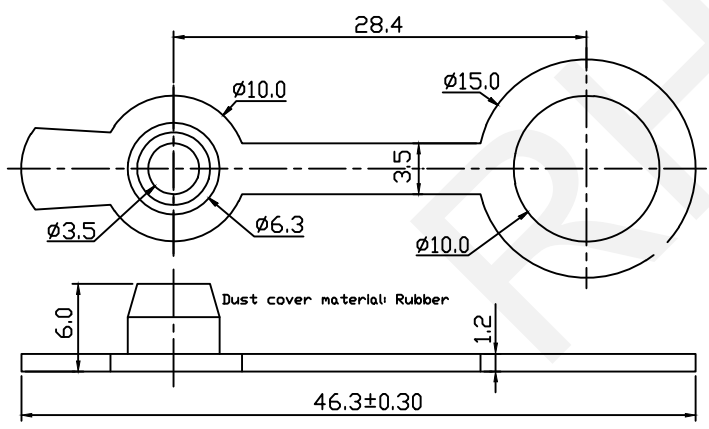


PIN	$\phi 2.0$	$\phi 2.5$
APPO		

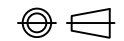
SPECIFICATION  
 Rated Load:DC 24V 4A  
 Contact Resistance:30m $\Omega$ , Max  
 Insulation Resistance:100M $\Omega$ , Min  
 Withstand Voltage:AC500V  
 Actuating Force:3~20N  
 Life:5000 Cycles  
 Operating Temperature:-30°C~70°C

SCHEMATIC  
 4(3)  
 5



NO	Description	QTY	Material	Plating
1	Housing	1	PBT	---
2	Axis Support	1	Brass	Ni-Plating
3	PIN	1	Brass	Ni-Plating
4	Contact Foot	1	Brass	Ag-Plating
5	Spring	1	Bronze	Ag-Plating

 NINGBO RHT ELECTRONIC CO.,LTD

UNITS:mm	SHEET SIZE: A4			SCALE:---	DRWN BY PAN
0~3	3~18	18~50	50~120	CHK'D BY FENG	THIRD ANGLE PROJECTION 
$\pm 0.12$	$\pm 0.15$	$\pm 0.3$	$\pm 0.5$	APPR BY ZHAN	

24V 4A DC Jack DIP

RHTAY13DC-027