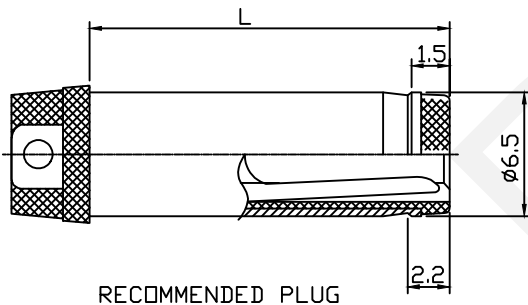


PCB LAYOUT TOP VIEW



RECOMMENDED PLUG

NO	Description	QTY	Material	Plating
1	Cover	1	PBT	---
2	Housing	1	PBT	---
3	Flat Piece	1	Bronze	Ag-Plating
4	Spring	1	Brass	Ag-Plating
5	Curve Piece	1	Brass	Ag-Plating
6	PIN	1	Brass	Ni-Plating

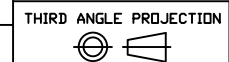
SPECIFICATION

Rated Load:DC 30V 6A  
 Contact Resistance:30mΩ, Max  
 Insulation Resistance:100MΩ, Min  
 Withstand Voltage:AC500V  
 Actuating Force:3-20N  
 Life:5000 Cycles  
 Operating Temperature:-30°C-70°C

RHTECP NINGBO RHT ELECTRONIC CO.,LTD

UNITS:mm	SHEET SIZE: A4			SCALE:---	DRWN BY PAN
0~3	3~18	18~50	50~120	CHK'D BY FENG	
±0.12	±0.15	±0.3	±0.5	APPR BY ZHAN	

30V 6A DC Jack DIP



RHTAY13DC-013