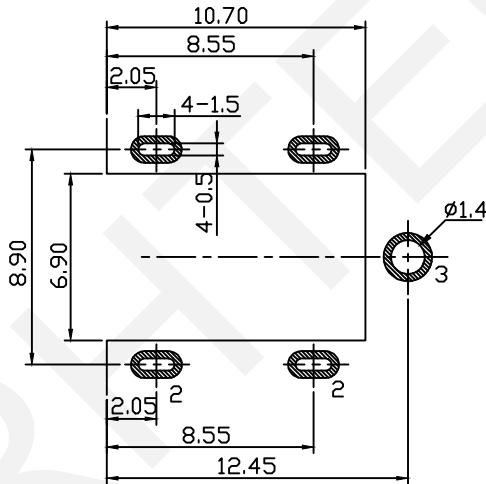
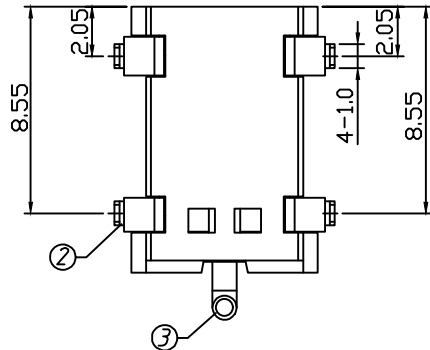
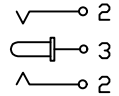


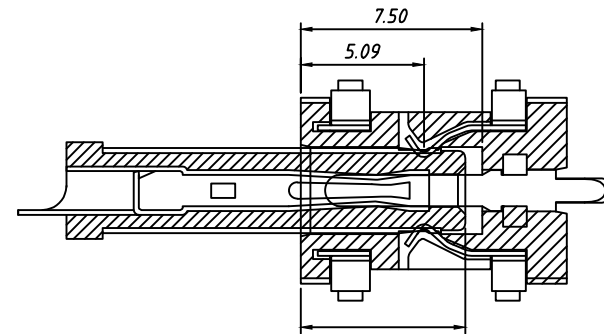
SCHMATIC



PCB LAYOUT TOP VIEW

SPECIFICATION

Rated Load:DC 30V 3A  
 Contact Resistance:30mΩ, Max  
 Insulation Resistance:100MΩ, Min  
 Withstand Voltage:AC500V  
 Actuating Force:3-20N  
 Life:5000 Cycles  
 Operating Temperature:-30°C-70°C



NO	Description	QTY	Material	Plating
1	Housing	1	PPA	---
2	Spring Piece	1	Bronze	Ag-Plating
3	PIN	1	Brass	Ni-Plating

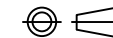
**RHTECP** NINGBO RHT ELECTRONIC CO.,LTD

UNITS:mm	SHEET SIZE: A4			SCALE:---
0~3	3~18	18~50	50~120	
±0.12	±0.15	±0.3	±0.5	

DRWN BY PAN  
 CHK'D BY FENG  
 APPR BY ZHAN

30V 3A DC Jack Mid Mount 0.8/1.0/1.3mm

THIRD ANGLE PROJECTION



RHTAY13DC-002