

Order Information

RHTLYL189-1X1-03

Part Number

Ports:1x1 Ports

Gold Plating:06u"

 NINGBO RHT ELECTRONIC CO.,LTD

UNITS:mm

SHEET SIZE: A4

SCALE:---

DRWN BY PAN

100Base 1x1 Tab-Down RJ45

0~3

3~18

18~50

50~120

CHK'D BY FENG

THIRD ANGLE PROJECTION

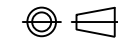
±0.12

±0.15

±0.3

±0.5

APPR BY ZHAN



RHTLYL189-1X1-03

1

2

3

4

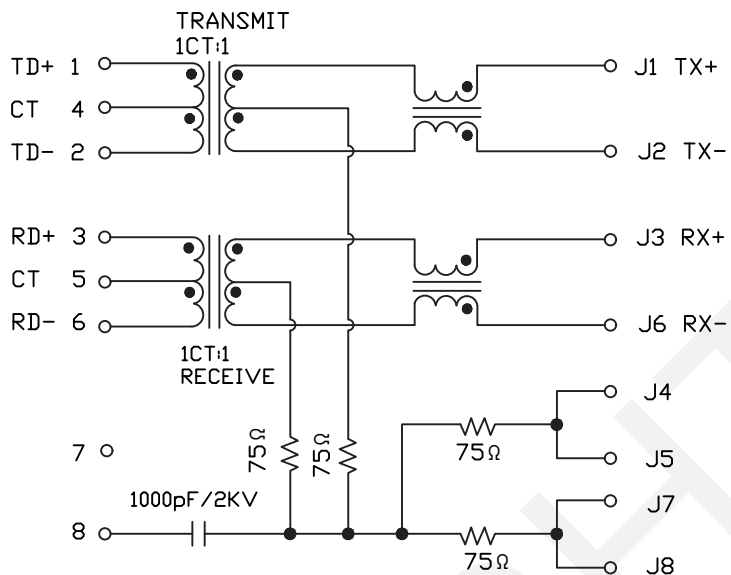
5

6

7

8

9



Electrical Specifications:

Insertion Loss: 1-100MHZ -1.0dB MAX

Return Loss: 1-30MHZ -16.0dB MIN

30-60MHZ -14.0dB MIN

60-80MHZ -10.0dB MIN

Cross Talk: 1-30MHZ -40.0dB MIN

30-60MHZ -35.0dB MIN

60-80MHZ -30.0dB MIN

CMR: 1M-100MHZ -35dB MIN

Hi-Pot: 1500v AC 6S 1mA

□CL:350uH MIN @ 100KHZ 100mV 8mA DC

Contacts:

0.35mm thick phos bronze plated with 6u' gold in contact area

Turn Ratio: 1CT:1CT+/-3%

Housing Material:LCP Black

□perating temperature range:-40°C~+85°C

RHTECP NINGBO RHT ELECTRONIC CO.,LTD

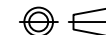
UNITS:mm SHEET SIZE: A4 SCALE:--- DRWN BY PAN

0~3 3~18 18~50 50~120 CHK'D BY FENG

±0.12 ±0.15 ±0.3 ±0.5 APPR BY ZHAN

100Base 1x1 Tab-Down RJ45

THIRD ANGLE PROJECTION



RHTLYL189-1X1-03