

Order Information

RHTLYL185-1X1-G

Part Number

Ports:1x1 Ports

LED Style

G-Green/Yellow

 NINGBO RHT ELECTRONIC CO.,LTD

UNITS:mm

SHEET SIZE: A4

SCALE:---

DRWN BY PAN

100 Base1x1 Tab-up RJ45

0~3

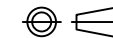
3~18

18~50

50~120

CHK'D BY FENG

THIRD ANGLE PROJECTION



RHTLYL185-1X1-G

±0.12

±0.15

±0.3

±0.5

APPR BY ZHAN

1

2

3

4

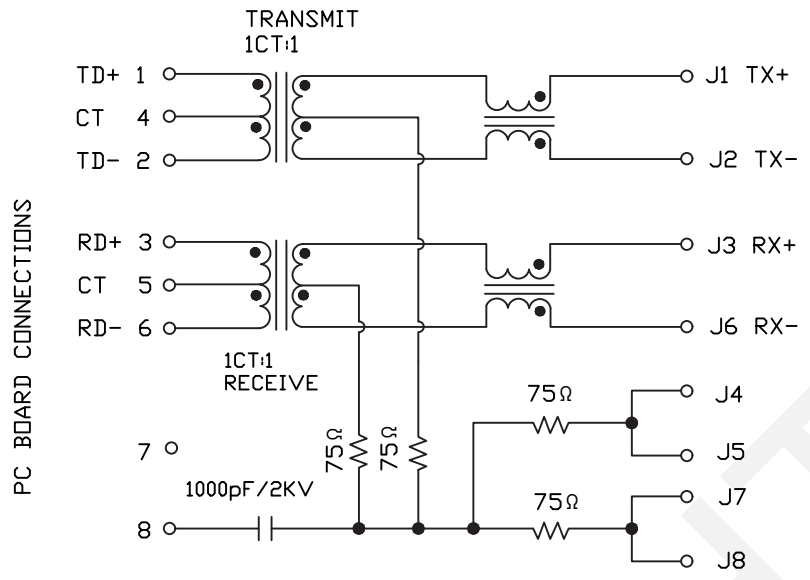
5

6

7

8

9



PC BOARD CONNECTIONS

RJ45 CONNECTIONS

Electrical Specifications:
 Insertion Loss: 1-100MHZ -1.0dB MAX

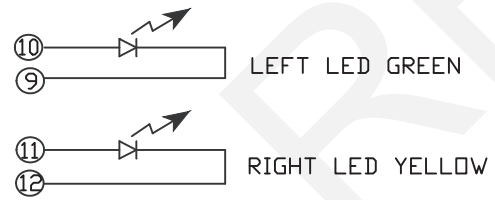
Return Loss: 1-30MHZ -16.0dB MIN
 30-60MHZ -14.0dB MIN
 60-80MHZ -10.0dB MIN

Cross Talk: 1-30MHZ -40.0dB MIN
 30-60MHZ -35.0dB MIN
 60-80MHZ -30.0dB MIN

CMR: 1-100MHZ -35dB MIN
 Hi-Pot: 1500v AC 6S 1mA

DCL:350uH MIN @ 100KHZ 100mV 8mA DC

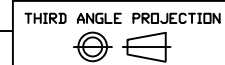
Contacts:
 0.35mm thick phos bronze plated with 6u' gold in contact area
 Turn Ratio: 1CT:1CT+/-3%
 Housing Material:PA66 Black
 Operating temperature range:-0°C+70°C



RHTECP NINGBO RHT ELECTRONIC CO.,LTD

UNITS:mm	SHEET SIZE: A4			SCALE:---	DRWN BY PAN
0~3	3~18	18~50	50~120	CHK'D BY FENG	
±0.12	±0.15	±0.3	±0.5	APPR BY ZHAN	

100 Base1x1 Tab-up RJ45



RHTLYL185-1X1-G