

Order Information

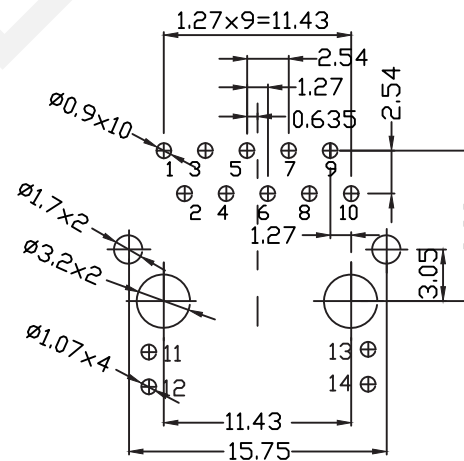
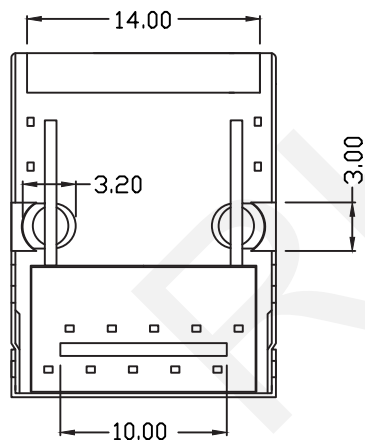
RHTLYL183-1X1-G

Part Number

Ports:1x1 Ports

LED Style

Yellow/Green



SUGGESTED PCB LAYOUT(TOP VIEW)

RHTECP NINGBO RHT ELECTRONIC CO.,LTD

UNITS:mm	SHEET SIZE: A4			SCALE:---
0~3	3~18	18~50	50~120	
±0.12	±0.15	±0.3	±0.5	

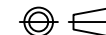
DRWN BY PAN

CHK'D BY FENG

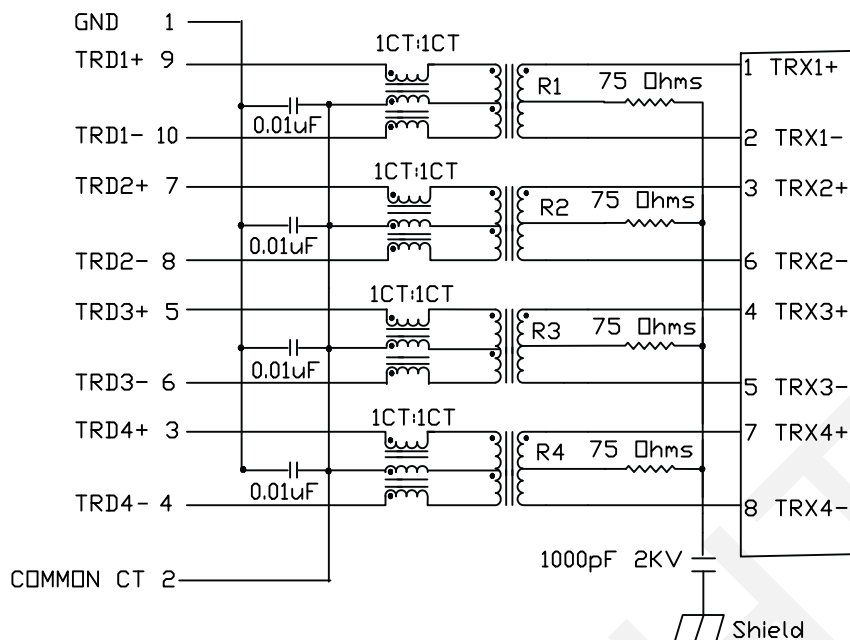
APPR BY ZHAN

1000 Base1x1 Tab-up RJ45

THIRD ANGLE PROJECTION



RHTLYL183-1X1-G



Electrical Specifications:
 Insertion Loss: 1-100MHZ -1.0dB MAX

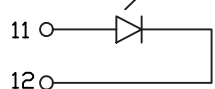
Return Loss: 1-30MHZ -16.0dB MIN
 30-60MHZ -14.0dB MIN
 60-80MHZ -10.0dB MIN

Cross Talk: 1-30MHZ -40.0dB MIN
 30-60MHZ -35.0dB MIN
 60-80MHZ -30.0dB MIN
 CMR: 1M-100MHZ -35dB MIN
 Hi-Pot: 1500v AC 6S 1mA

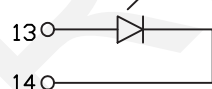
DCL:350uH MIN @ 100KHZ 100mV 8mA DC

Contacts:
 0.35mm thick phos bronze plated with 6u' gold in contact area
 Turn Ratio: 1CT:1CT+/-3%
 Housing Material:PA66 Black
 Operating temperature range:-40°C-+85°C

GREEN/LEFT LED



Yellow/RIGHT LED



RHTECP NINGBO RHT ELECTRONIC CO.,LTD

UNITS:mm	SHEET SIZE: A4	SCALE:---	DRWN BY PAN
0~3	3~18	18~50	50~120
±0.12	±0.15	±0.3	±0.5

CHK'D BY FENG
 APPR BY ZHAN

1000 Base1x1 Tab-up RJ45

THIRD ANGLE PROJECTION



RHTLYL183-1X1-G