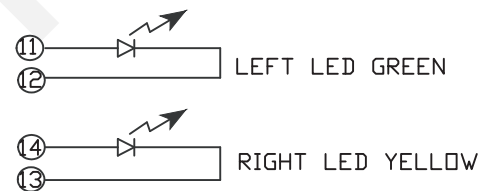


SUGGESTED PCB LAYOUT (TOP VIEW)



Order Information

RHTLYL179-1X4-G

Part Number

Ports:1x4 Ports

LED Style

G-Green/Yellow

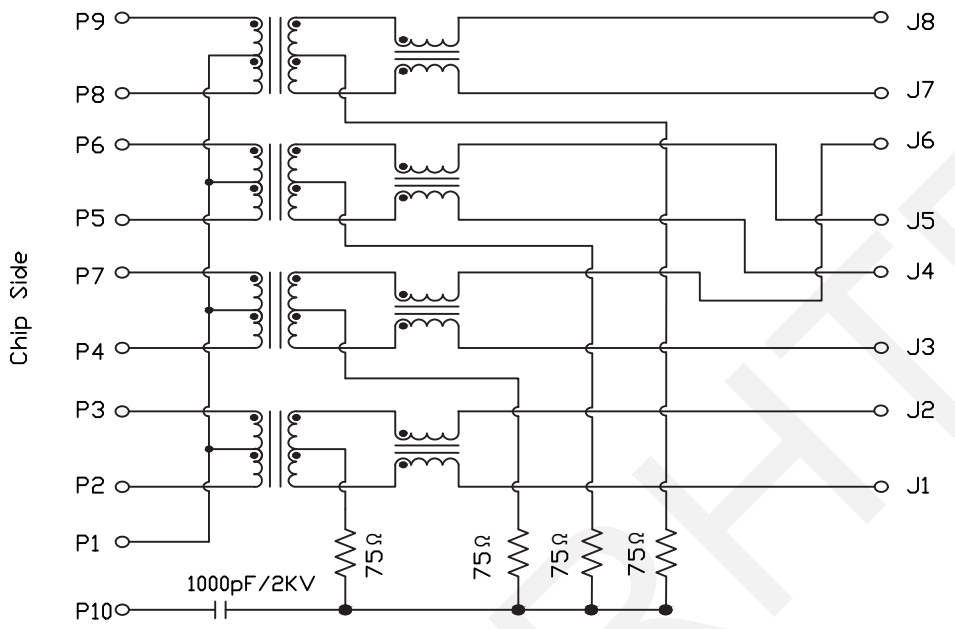
RHTECP NINGBO RHT ELECTRONIC CO.,LTD

UNITS:mm	SHEET SIZE: A4		SCALE:---	DRWN BY PAN
0~3	3~18	18~50	50~120	CHK'D BY FENG
±0.12	±0.15	±0.3	±0.5	APPR BY ZHAN

THIRD ANGLE PROJECTION



RHTLYL179-1X4-G



Electrical Specifications:
 Insertion Loss: 1-100MHZ -1.0dB MAX

Return Loss: 1-30MHZ -16.0dB MIN
 30-60MHZ -14.0dB MIN
 60-80MHZ -10.0dB MIN

Cross Talk: 1-30MHZ -40.0dB MIN
 30-60MHZ -35.0dB MIN
 60-80MHZ -30.0dB MIN

CMR: 1M-100MHZ -35dB MIN
 Hi-Pot: 1500v AC 6S 1mA
 Turn Ratio:1CT:1CT+/-3%.
 DCL:350uH MIN @ 100KHZ 100mV 8mA DC

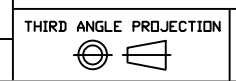
Contacts:
 0.35mm thick phos bronze plated with 6u' gold in contact area
 Housing Material:PBT BLACK
 Operating temperature range: 40°C~+85°C

RHTECP NINGBO RHT ELECTRONIC CO.,LTD

UNITS:mm	SHEET SIZE: A4	SCALE:---	DRWN BY PAN
0~3	3~18	18~50	50~120
±0.12	±0.15	±0.3	±0.5

CHK'D BY FENG
 APPR BY ZHAN

1000Base1x4 Tab-Down RJ45



RHTLYL179-1X4-G