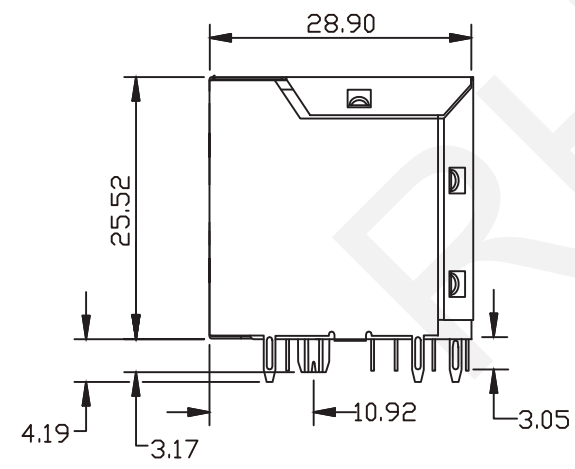


Recommend P.C.B Layout
viewed From Component Side



Order Information

RHTLYL178-2X1-G

Part Number

Ports:2x1 Ports

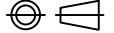
LED Style

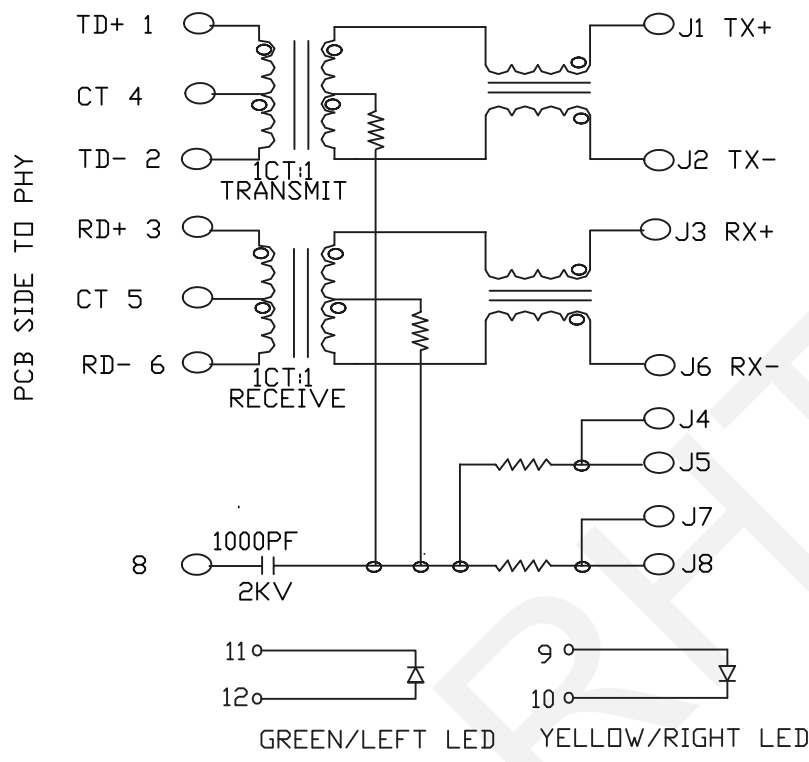
Green/Yellow

 NINGBO RHT ELECTRONIC CO.,LTD

UNITS:mm	SHEET SIZE: A4			SCALE:---
0~3	3~18	18~50	50~120	
±0.12	±0.15	±0.3	±0.5	

DRWN BY PAN
CHK'D BY FENG
APPR BY ZHAN

100 Base 2x1 RJ45
THIRD ANGLE PROJECTION

RHTLYL178-2X1-G



Electrical Specifications:
Insertion Loss: 1-100MHZ -1.0dB MAX

Return Loss: 1-30MHZ -16.0dB MIN
30-60MHZ -14.0dB MIN
60-80MHZ -10.0dB MIN

Cross Talk: 1-30MHZ -40.0dB MIN
30-60MHZ -35.0dB MIN
60-80MHZ -30.0dB MIN

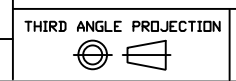
CMR: 1M-100MHZ -35dB MIN
Hi-Pot: 1500v AC 6S 1mA
Turn Ratio: 1CT:1CT+/-3%
DCL: 350uH MIN @ 100KHZ 100mV 8mA DC

Contacts:
0.35mm thick phos bronze plated with 6u' gold in contact area
Housing Material: PBT BLACK
Operating temperature range: 40°C~+85°C

RHTECP NINGBO RHT ELECTRONIC CO.,LTD

UNITS:mm	SHEET SIZE: A4			SCALE:---	DRWN BY PAN
0~3	3~18	18~50	50~120	CHK'D BY FENG	
±0.12	±0.15	±0.3	±0.5	APPR BY ZHAN	

100 Base 2x1 RJ45



RHTLYL178-2X1-G