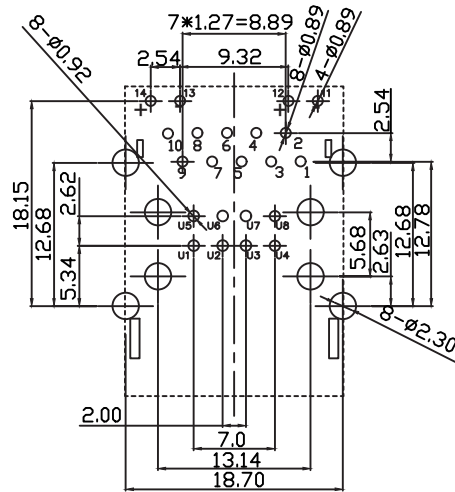
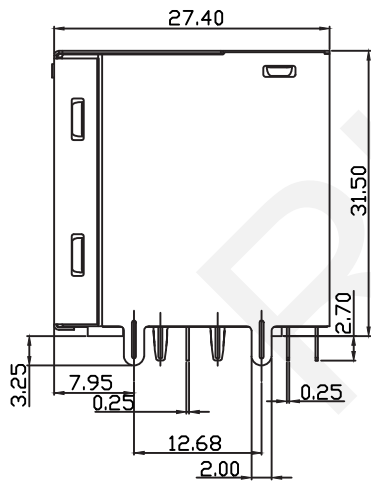


Order Information  
RHTLYL175-1X2USB-GY

Part Number  
LED Style  
Green/Yellow



**RHTECP** NINGBO RHT ELECTRONIC CO.,LTD

UNITS:mm	SHEET SIZE: A4			SCALE:---
0~3	3~18	18~50	50~120	
±0.12	±0.15	±0.3	±0.5	

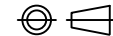
DRWN BY PAN

CHK'D BY FENG

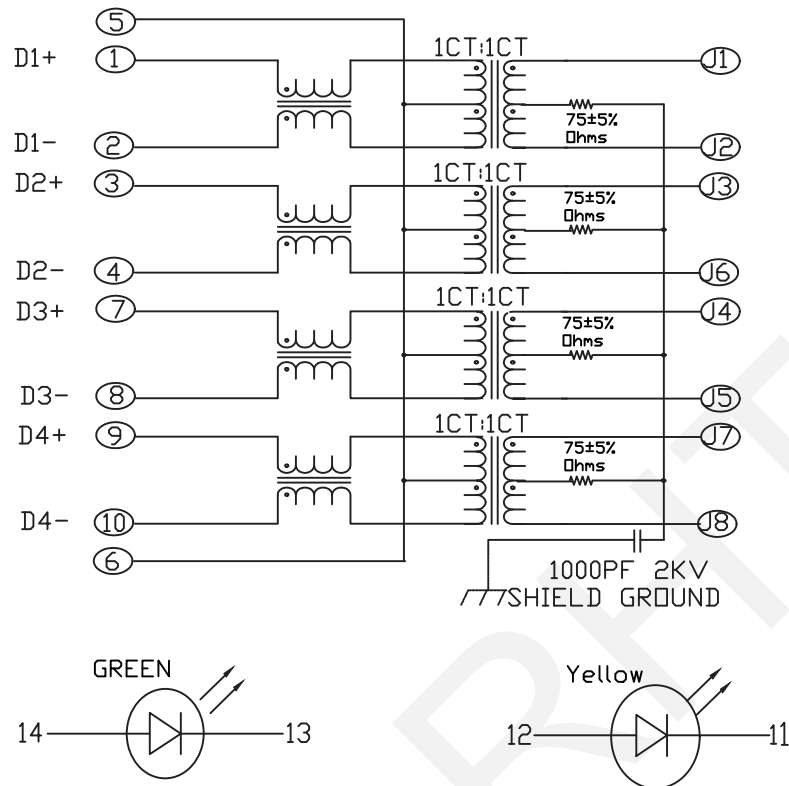
APPR BY ZHAN

1000 Base RJ45

THIRD ANGLE PROJECTION



RHTLYL175-1X2USB-GY



Electrical Specifications:

Insertion Loss: 1-100MHZ -1.0dB MAX

Return Loss: 1-30MHZ -16.0dB MIN

30-60MHZ -14.0dB MIN

60-80MHZ -10.0dB MIN

Cross Talk: 1-30MHZ -40.0dB MIN

30-60MHZ -35.0dB MIN

60-80MHZ -30.0dB MIN

CMR: 1M-100MHZ -35dB MIN

Hi-Pot: 1500v AC 6S 1mA

Turn Ratio:1CT:1CT+/-3%.

DCL:350uH MIN @ 100KHZ 100mV 8mA DC

Contacts:

0.35mm thick phos bronze plated with 6u' gold in contact area

Housing Material:PBT BLACK

Operating temperature range: 0°C~+70°C

**RHTECP** NINGBO RHT ELECTRONIC CO.,LTD

UNITS:mm

SHEET SIZE: A4

SCALE:---

DRWN BY PAN

1000 Base RJ45

0~3

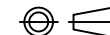
3~18

18~50

50~120

CHK'D BY FENG

THIRD ANGLE PROJECTION



RHTLYL175-1X2USB-GY

±0.12

±0.15

±0.3

±0.5

APPR BY ZHAN

1

2

3

4

5

6

7

8

9