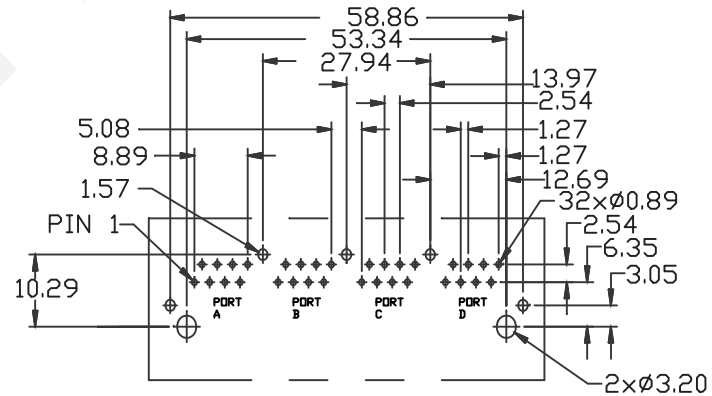
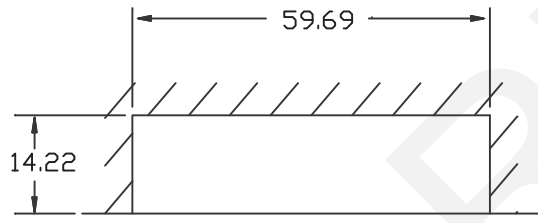


Order Information
RHTLYL174-1X4-03

Part Number
Ports: 1x4 Ports
Gold Plating: 06u"



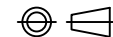
SUGGESTED PC BOARD LAYOUT VIEWED FROM COMPONENT SIDE

RHTECP NINGBO RHT ELECTRONIC CO.,LTD

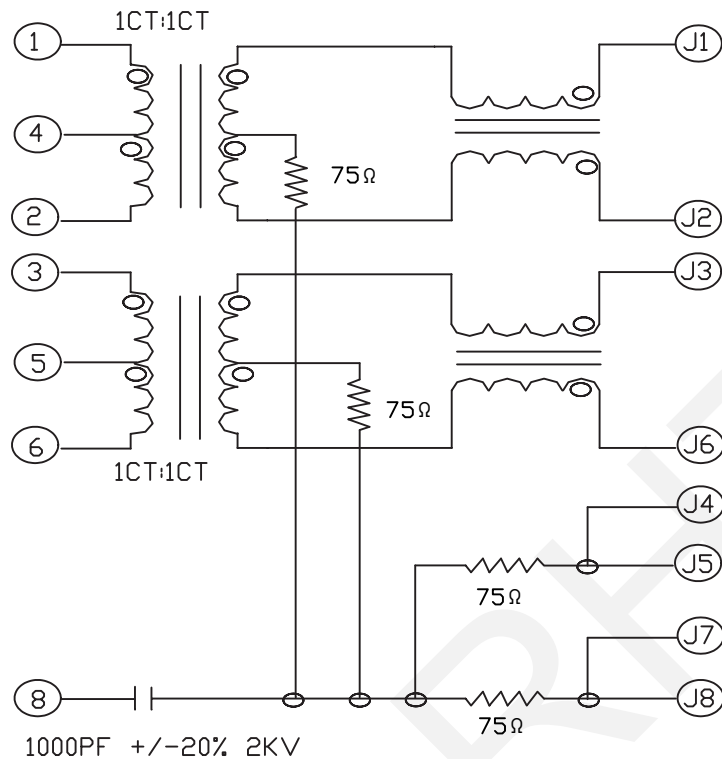
UNITS:mm	SHEET SIZE: A4			SCALE:---	DRWN BY PAN
0~3	3~18	18~50	50~120	CHK'D BY FENG	
±0.12	±0.15	±0.3	±0.5	APPR BY ZHAN	

100 Base 1x4 Tab-Down RJ45

THIRD ANGLE PROJECTION



RHTLYL174-1X4-03



Electrical Specifications:

Insertion Loss: 1-100MHZ -1.0dB MAX

Return Loss: 1-30MHZ -16.0dB MIN

30-60MHZ -14.0dB MIN

60-80MHZ -10.0dB MIN

Cross Talk: 1-30MHZ -40.0dB MIN

30-60MHZ -35.0dB MIN

60-80MHZ -30.0dB MIN

CMR: 1-100MHZ -35dB MIN

Hi-Pot: 1500v AC 6S 1mA

Turn Ratio:1CT:1CT+/-3%.

□CL:350uH MIN @ 100KHZ 100mV 8mA DC

Contacts:

0.35mm thick phos bronze plated with 6u' gold in contact area

Housing Material:PBT BLACK

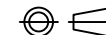
□perating temperature range: 0°C~+70°C

RHTECP NINGBO RHT ELECTRONIC CO.,LTD

UNITS:mm	SHEET SIZE: A4			SCALE:---	DRWN BY PAN
0~3	3~18	18~50	50~120	CHK'D BY FENG	
±0.12	±0.15	±0.3	±0.5	APPR BY ZHAN	

100 Base 1x4 Tab-Down RJ45

THIRD ANGLE PROJECTION



RHTLYL174-1X4-03