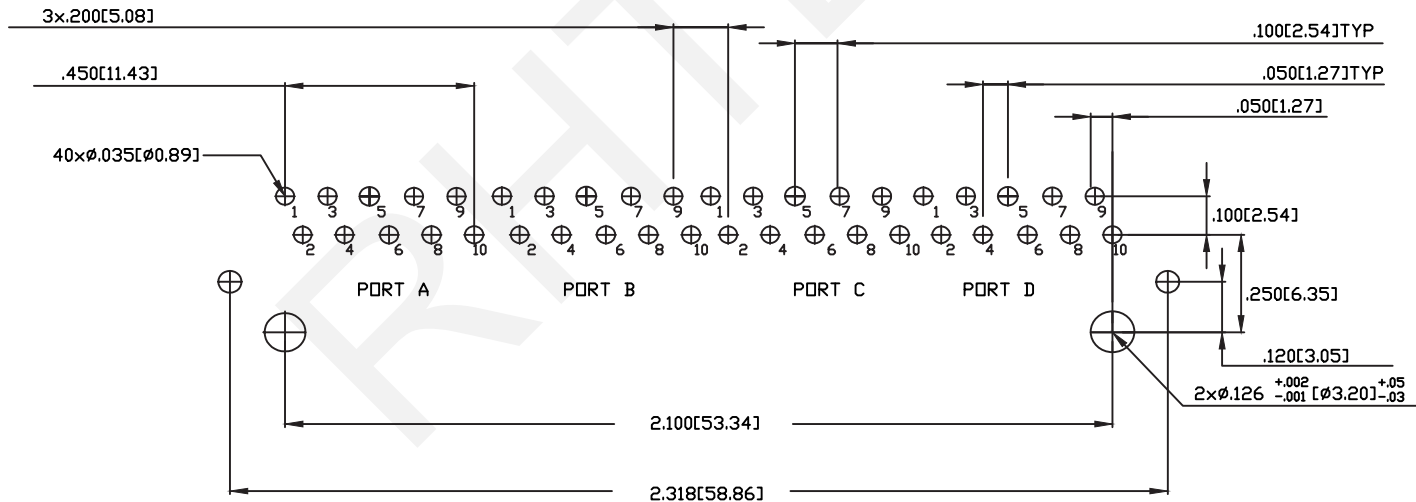


Order Information  
RHTLYL171-1X4-03

Part Number  
Ports: 1x4 Ports  
Gold Plating: 06u"



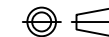
RHTECP<sup>®</sup> NINGBO RHT ELECTRONIC CO.,LTD

UNITS:mm	SHEET SIZE: A4	SCALE:---	DRWN BY PAN
0~3	3~18	18~50	50~120
±0.12	±0.15	±0.3	±0.5

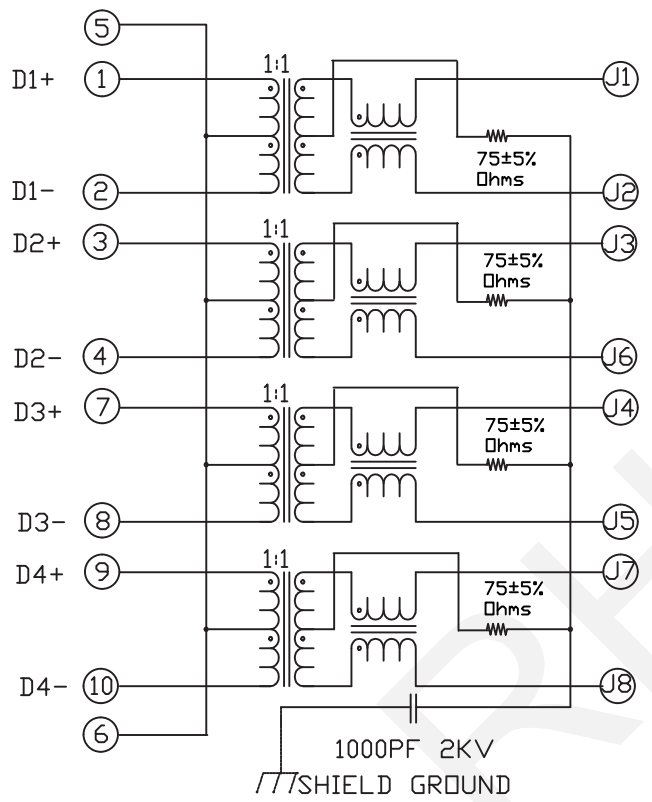
CHK'D BY FENG  
APPR BY ZHAN

1000 Base 1x4 Tab-Down RJ45

THIRD ANGLE PROJECTION



RHTLYL171-1X4-03



Electrical Specifications:  
 Insertion Loss: 1-100MHZ -1.0dB MAX

Return Loss: 1-30MHZ -16.0dB MIN  
 30-60MHZ -14.0dB MIN  
 60-80MHZ -10.0dB MIN

Cross Talk: 1-30MHZ -40.0dB MIN  
 30-60MHZ -35.0dB MIN  
 60-80MHZ -30.0dB MIN

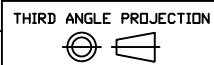
CMR: 1-100MHZ -35dB MIN  
 Hi-Pot: 1500v AC 6S 1mA  
 Turn Ratio:1CT:1CT+/-3%.  
 DCL:350uH MIN @ 100KHZ 100mV 8mA DC

Contacts:  
 0.35mm thick phos bronze plated with 6u' gold in contact area  
 Housing Material:PBT BLACK  
 Operating temperature range: 40°C~+85°C

**RHTECP** NINGBO RHT ELECTRONIC CO.,LTD

UNITS:mm	SHEET SIZE: A4			SCALE:---	DRWN BY PAN
0~3	3~18	18~50	50~120	CHK'D BY FENG	
±0.12	±0.15	±0.3	±0.5	APPR BY ZHAN	

1000 Base 1x4 Tab-Down RJ45



RHTLYL171-1X4-03