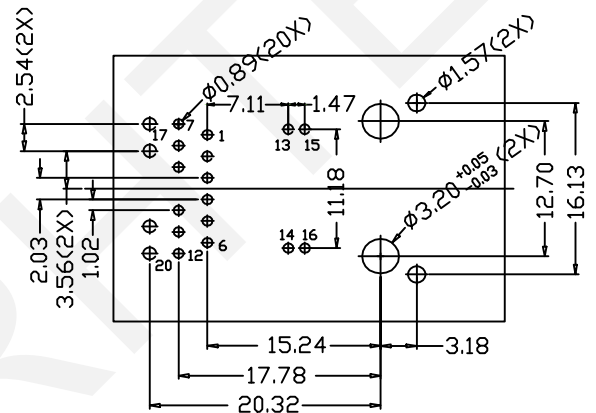
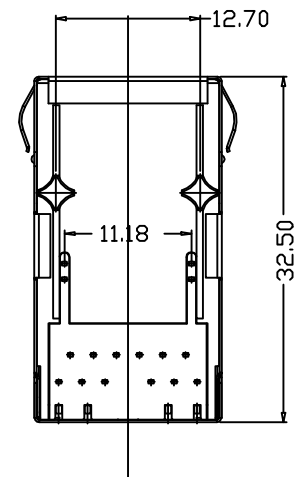
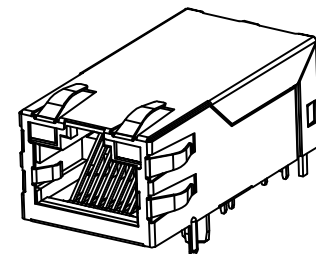
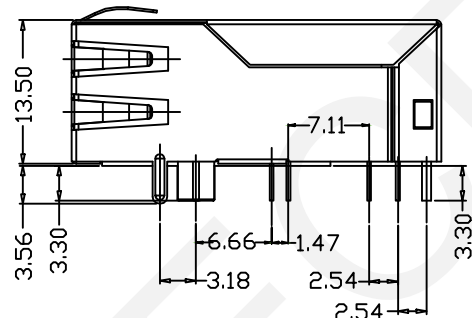
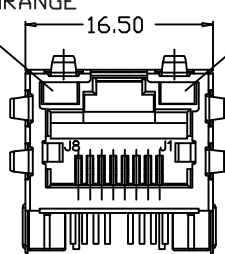


LEFT LED
GREEN/ORANGE

RIGHT LED
YELLOW



Recommend P.C.B Layout
viewed From Component Side

Order Information

RHTLYL169-1X1-G0

Part Number

Ports:1x1 Ports

LED Style

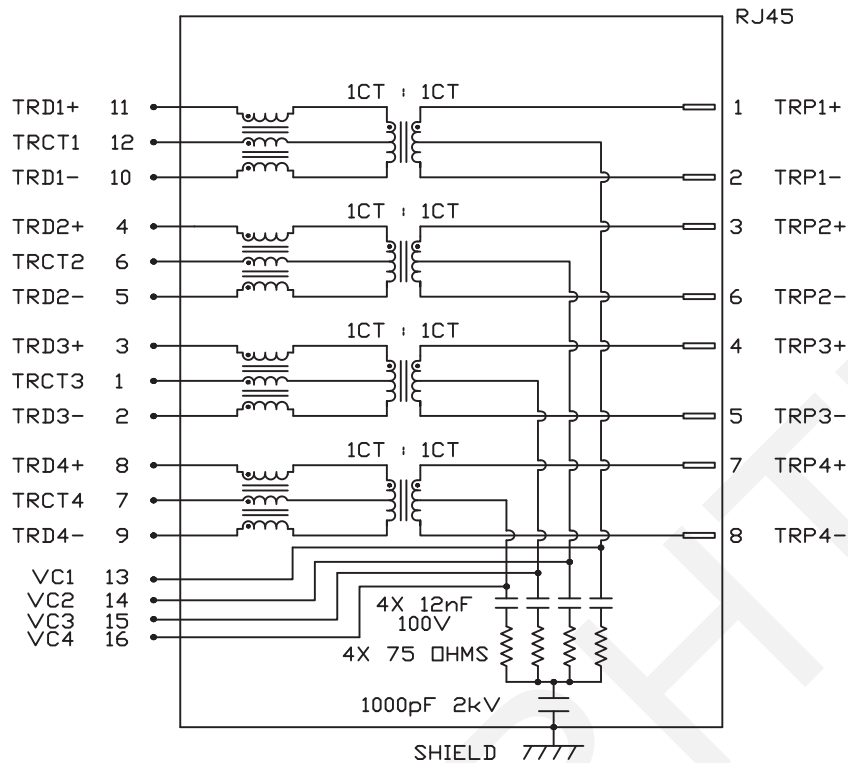
Green&Orange/Yellow

NINGBO RHT ELECTRONIC CO.,LTD

UNITS:mm	SHEET SIZE: A4			SCALE:---	DRWN BY PAN
0~3	3~18	18~50	50~120	CHK'D BY FENG	THIRD ANGLE PROJECTION
±0.12	±0.15	±0.3	±0.5	APPR BY ZHAN	

1000 Base 1x1 Tab-up RJ45

RHTLYL169-1X1-G0



RJ45

Insertion Loss: 1-100MHZ -1.0dB MAX

Return Loss: 1-30MHZ -16.0dB MIN
 30-60MHZ -14.0dB MIN
 60-80MHZ -10.0dB MIN

Cross Talk: 1-30MHZ -40.0dB MIN
 30-60MHZ -35.0dB MIN
 60-80MHZ -30.0dB MIN

CMR: 1-100MHZ -35.0dB MIN

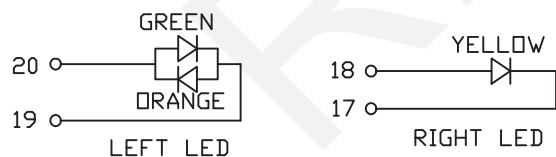
Hi-Pot: <Isolation Voltage>1500v AC OR 2250 DC 6S 1mA
 OCL: 350uH MIN @ 100KHZ 100mV RMS <4CHANNEL> 11mA DC BIAS

Contacts:

0.35mm thick phos bronze plated with 6u' gold in contact area

Turn Ratio: 1CT:1CT +/- 3%

Operating temperature range: -40°C +85°C

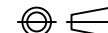


RHTECP NINGBO RHT ELECTRONIC CO.,LTD

UNITS:mm	SHEET SIZE: A4	SCALE:---	DRWN BY PAN
0~3	3~18	18~50	50~120
±0.12	±0.15	±0.3	±0.5
CHK'D BY FENG		APPR BY ZHAN	

1000 Base 1x1 Tab-up RJ45

THIRD ANGLE PROJECTION



RHTLYL169-1X1-G0