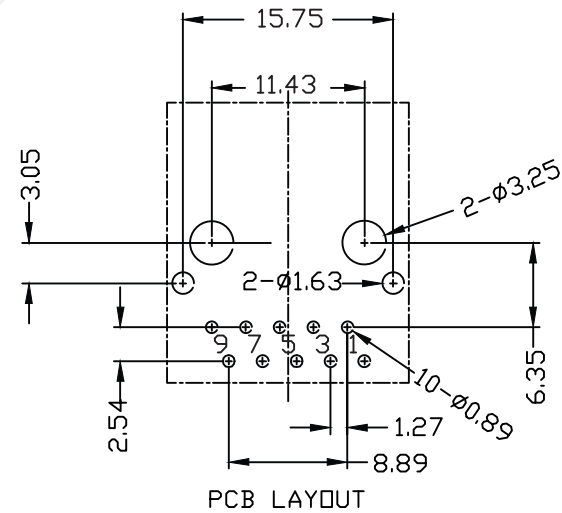
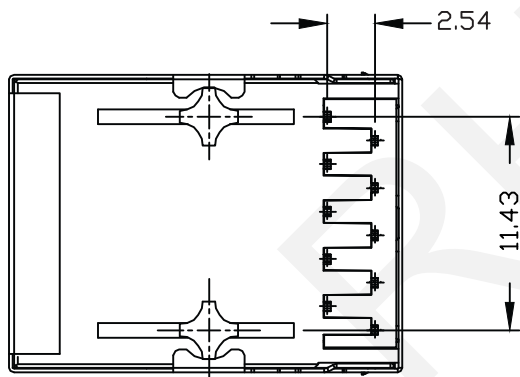


Order Information  
RHTLYL167-1X1-03

Part Number  
Ports:1x1 Ports  
Gold Plating:06u"

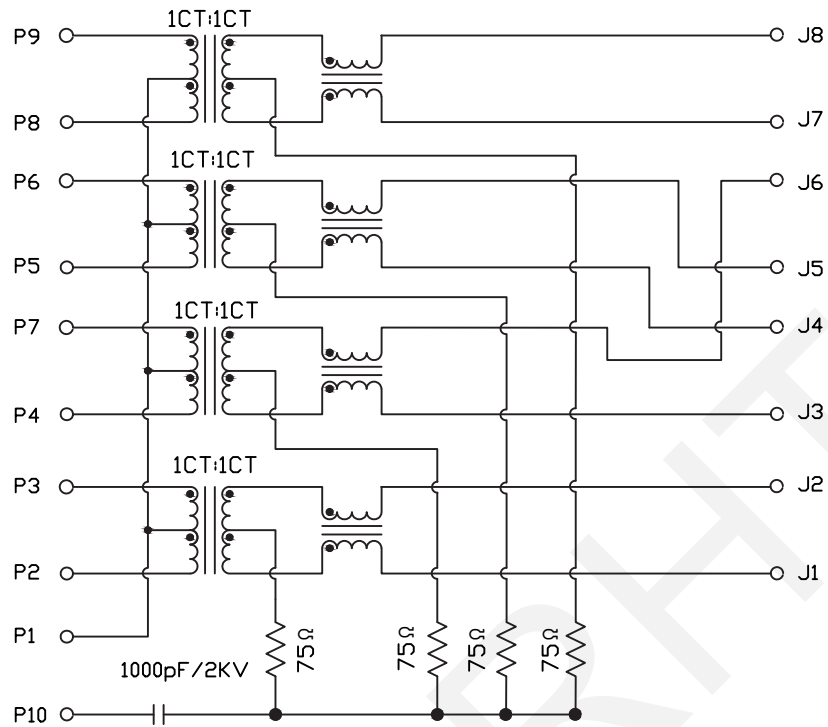


**RHTECP** NINGBO RHT ELECTRONIC CO.,LTD

|          |                |       |        |               |                             |             |
|----------|----------------|-------|--------|---------------|-----------------------------|-------------|
| UNITS:mm | SHEET SIZE: A4 |       |        |               | SCALE:---                   | DRWN BY PAN |
| 0~3      | 3~18           | 18~50 | 50~120 | CHK'D BY FENG | 1000 Base 1x1 Tab-Down RJ45 |             |
| ±0.12    | ±0.15          | ±0.3  | ±0.5   | APPR BY ZHAN  | RHTLYL167-1X1-03            |             |

THIRD ANGLE PROJECTION

RHTLYL167-1X1-03



Electrical Specifications:

Insertion Loss: 1-100MHZ -1.0dB MAX

Return Loss: 1-30MHZ -16.0dB MIN  
 30-60MHZ -14.0dB MIN  
 60-80MHZ -10.0dB MIN

Cross Talk: 1-30MHZ -40.0dB MIN  
 30-60MHZ -35.0dB MIN  
 60-80MHZ -30.0dB MIN

CMR: 1-100MHZ -35dB MIN

Hi-Pot: 1500v AC 6S 1mA

Turn Ratio:1CT:1CT+/-3%.

□CL:350uH MIN @ 100KHZ 100mV 8mA DC

Contacts:

0.35mm thick phos bronze plated with 6u' gold in contact area

Housing Material:PBT BLACK

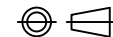
Operating temperature range: 40°C~+85°C

**RHTECP** NINGBO RHT ELECTRONIC CO.,LTD

|          |                |       |        |               |             |
|----------|----------------|-------|--------|---------------|-------------|
| UNITS:mm | SHEET SIZE: A4 |       |        | SCALE:---     | DRWN BY PAN |
| 0~3      | 3~18           | 18~50 | 50~120 | CHK'D BY FENG |             |
| ±0.12    | ±0.15          | ±0.3  | ±0.5   | APPR BY ZHAN  |             |

1000 Base 1x1 Tab-Down RJ45

THIRD ANGLE PROJECTION



RHTLYL167-1X1-03