

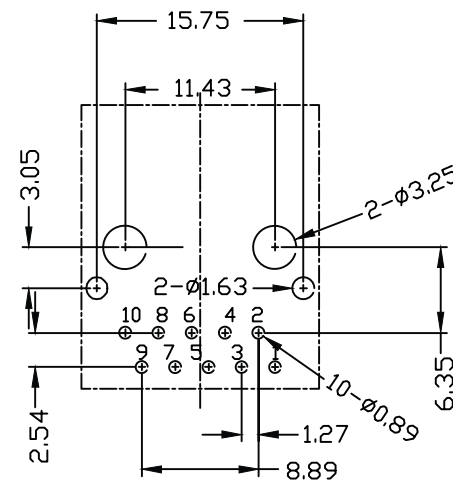
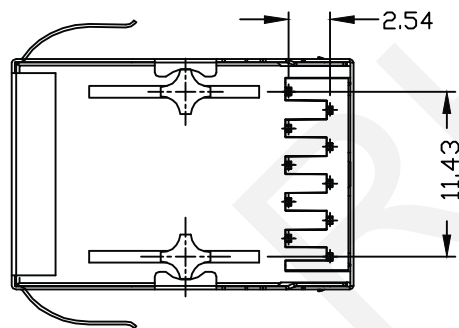
Order Information

RHTLYL164-1X1-03

Part Number

Ports:1x1 Ports

Gold Plating:06u"



PCB LAYOUT

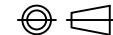
RHTECP NINGBO RHT ELECTRONIC CO.,LTD

UNITS:mm	SHEET SIZE: A4			SCALE:---
0~3	3~18	18~50	50~120	
±0.12	±0.15	±0.3	±0.5	

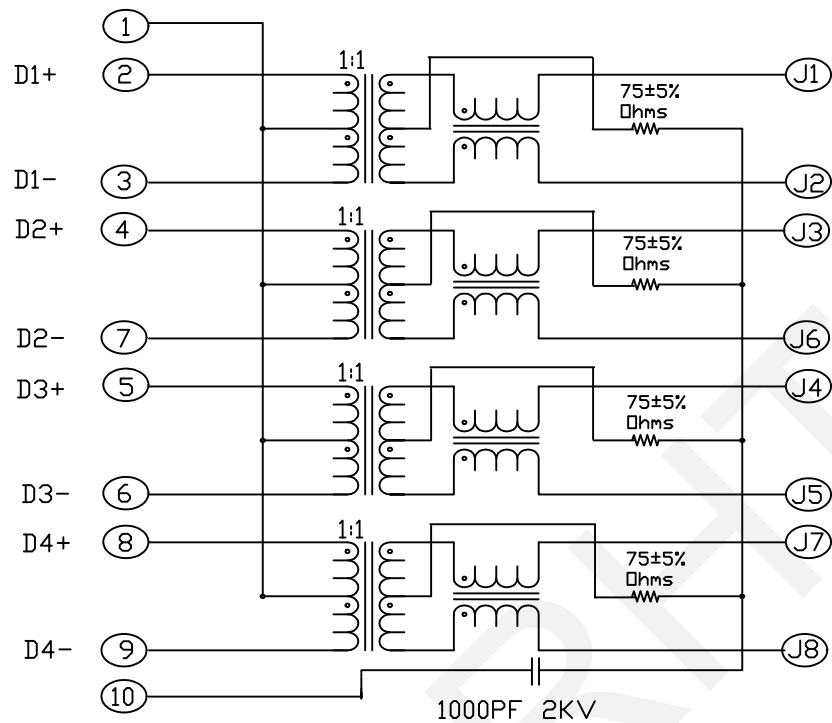
DRWN BY PAN
CHK'D BY FENG
APPR BY ZHAN

1000 Base 1x1 Tab-Down RJ45

THIRD ANGLE PROJECTION



RHTLYL164-1X1-03



Electrical Specifications:

Insertion Loss: 1-100MHZ -1.0dB MAX

Return Loss: 1-30MHZ -16.0dB MIN
 30-60MHZ -14.0dB MIN
 60-80MHZ -10.0dB MIN

Cross Talk: 1-30MHZ -40.0dB MIN
 30-60MHZ -35.0dB MIN
 60-80MHZ -30.0dB MIN

CMR: 1M-100MHZ -35dB MIN

Hi-Pot: 1500v AC 6S 1mA

Turn Ratio: 1CT:1CT+/-3%.

□CL: 350uH MIN @ 100KHZ 100mV 8mA DC

Contacts:

0.35mm thick phos bronze plated with 6u' gold in contact area

Housing Material: PBT BLACK

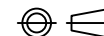
Operating temperature range: 40°C~+85°C

RHTECP NINGBO RHT ELECTRONIC CO.,LTD

UNITS:mm	SHEET SIZE: A4			SCALE:---	DRWN BY PAN
0~3	3~18	18~50	50~120	CHK'D BY FENG	
±0.12	±0.15	±0.3	±0.5	APPR BY ZHAN	

1000 Base 1x1 Tab-Down RJ45

THIRD ANGLE PROJECTION



RHTLYL164-1X1-03