

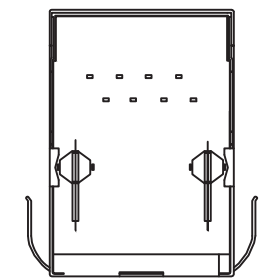
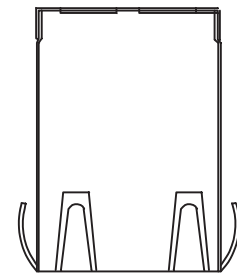
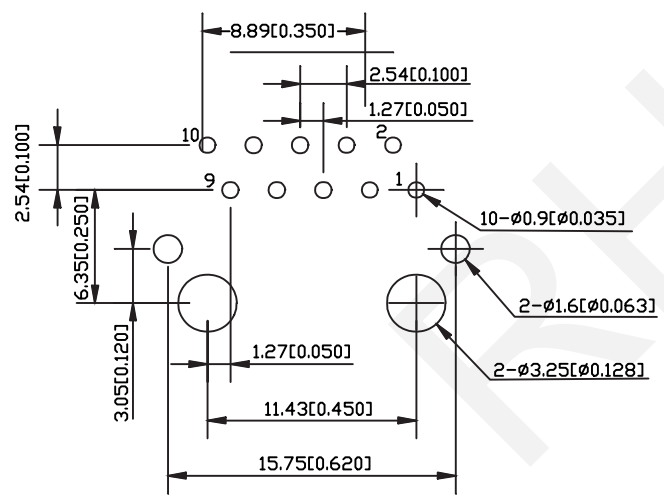
Order Information

RHTLYL162-1X1-03

Part Number

Ports: 1x1 Ports

Gold Plating: 06u"



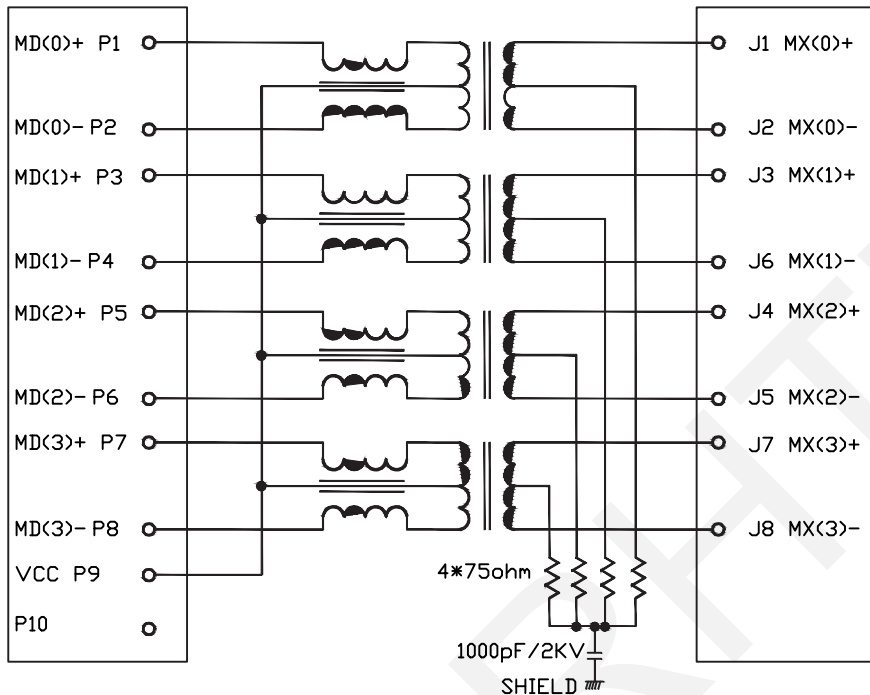
**RHTECP** NINGBO RHT ELECTRONIC CO.,LTD

UNITS:mm	SHEET SIZE: A4	SCALE:---	DRWN BY PAN
0~3	3~18	18~50	50~120
±0.12	±0.15	±0.3	±0.5

CHK'D BY FENG  
APPR BY ZHAN

1000 Base 1x1 Tab-up RJ45  
THIRD ANGLE PROJECTION  
RHTLYL162-1X1-03

LAN CHIP SIDE



RJ CABLE SIDE

Electrical Specifications:

Insertion Loss: 1-100MHZ -1.0dB MAX

Return Loss: 1-30MHZ -16.0dB MIN  
 30-60MHZ -14.0dB MIN  
 60-80MHZ -10.0dB MIN

Cross Talk: 1-30MHZ -40.0dB MIN  
 30-60MHZ -35.0dB MIN  
 60-80MHZ -30.0dB MIN

CMR: 1M-100MHZ -35dB MIN

Hi-Pot: 1500v AC 6S 1mA

Turn Ratio:1CT:1CT+/-3%.

□CL:350uH MIN @ 100KHZ 100mV 8mA DC

Contacts:

0.35mm thick phos bronze plated with 6u' gold in contact area

Housing Material:PBT BLACK

Operating temperature range: 0°C~+70°C

 NINGBO RHT ELECTRONIC CO.,LTD

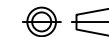
UNITS:mm SHEET SIZE: A4 SCALE:--- DRWN BY PAN

0~3 3~18 18~50 50~120 CHK'D BY FENG

±0.12 ±0.15 ±0.3 ±0.5 APPR BY ZHAN

1000 Base 1x1 Tab-up RJ45

THIRD ANGLE PROJECTION



RHTLYL162-1X1-03