

Order Information

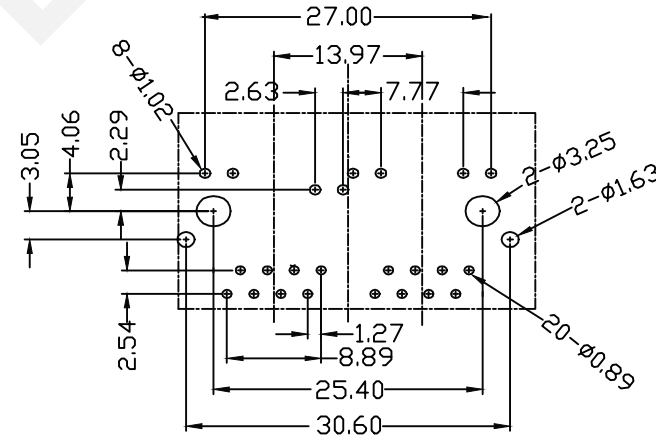
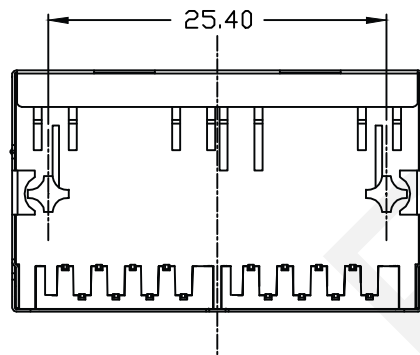
RHTLYL159-1X2-G

Part Number

Ports:1x2 Ports

LED Style

G-Green/Yellow



PCB LAYOUT

**RHTECP** NINGBO RHT ELECTRONIC CO.,LTD

UNITS:mm

SHEET SIZE: A4

SCALE:---

DRWN BY PAN

100 Base1x2 Tab-Down RJ45

0~3

3~18

18~50

50~120

CHK'D BY FENG

THIRD ANGLE PROJECTION

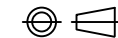
±0.12

±0.15

±0.3

±0.5

APPR BY ZHAN



RHTLYL159-1X2-G

1

2

3

4

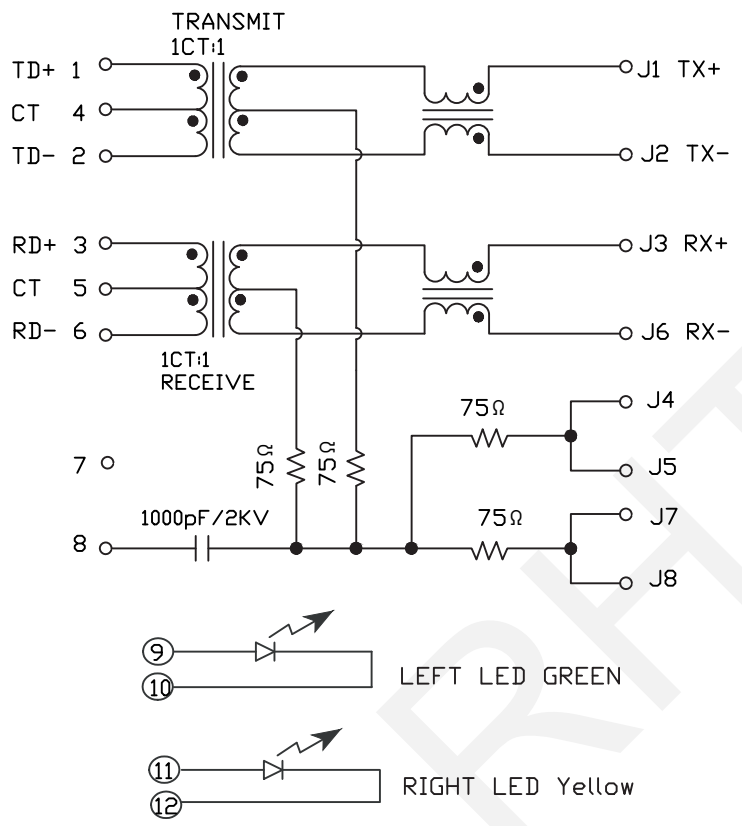
5

6

7

8

9



Electrical Specifications:  
 Insertion Loss: 1-100MHZ -1.0dB MAX

Return Loss: 1-30MHZ -16.0dB MIN  
 30-60MHZ -14.0dB MIN  
 60-80MHZ -10.0dB MIN

Cross Talk: 1-30MHZ -40.0dB MIN  
 30-60MHZ -35.0dB MIN  
 60-80MHZ -30.0dB MIN

CMR: 1M-100MHZ -35dB MIN  
 Hi-Pot: 1500v AC 6S 1mA  
 Turn Ratio:1CT:1CT+/-3%.  
 □CL:350uH MIN @ 100KHZ 100mV 8mA DC

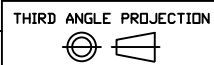
Contacts:  
 0.35mm thick phos bronze plated with 6u' gold in contact area  
 Housing Material:PBT BLACK  
 Operating temperature range: 40°C~+85°C

**RHTECP** NINGBO RHT ELECTRONIC CO.,LTD

|          |                |       |        |           |
|----------|----------------|-------|--------|-----------|
| UNITS:mm | SHEET SIZE: A4 |       |        | SCALE:--- |
| 0~3      | 3~18           | 18~50 | 50~120 |           |
| ±0.12    | ±0.15          | ±0.3  | ±0.5   |           |

DRWN BY PAN  
 CHK'D BY FENG  
 APPR BY ZHAN

100 Base1x2 Tab-Down RJ45



RHTLYL159-1X2-G