

SUGGESTED PC BOARD LAYOUT VIEWED FROM COMPONENT SIDE
 PCB LAYOUT DIMENSIONS TO BE ± 0.003 UNLESS OTHERWISE SPECIFIED

Order Information

RHTLYL158-1X2-G

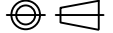
Part Number

Ports: 1x2 Ports

LED Style

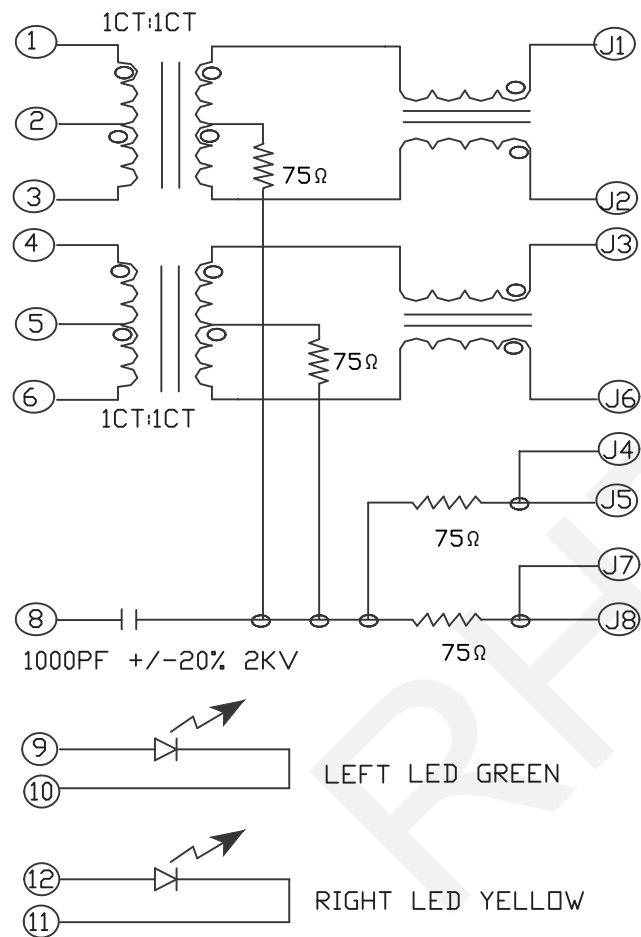
G-Green/Yellow

RHTECP NINGBO RHT ELECTRONIC CO.,LTD

UNITS:mm	SHEET SIZE: A4			SCALE:---	DRWN BY PAN
0~3	3~18	18~50	50~120	CHK'D BY FENG	THIRD ANGLE PROJECTION 
± 0.12	± 0.15	± 0.3	± 0.5	APPR BY ZHAN	

100 Base 1x2 Tab-Down RJ45

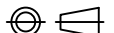
RHTLYL158-1X2-G



Insertion Loss: 1-65MHZ -1.0dB MAX
 Return Loss: 1-10MHZ -20.0dB MIN
 10-30MHZ -16.0dB MIN
 30-60MHZ -12.0dB MIN
 60-80MHZ -10.0dB MIN
 Cross Talk: 10-30MHZ -40.0dB MIN
 30-60MHZ -35.0dB MIN
 60-100MHZ -30.0dB MIN
 CMR: 1-50MHZ -30.0dB MIN
 50-150MHZ -20.0dB MIN
 Hipot:1000V AC 6S 1mA
 DCL:350uH MIN @ 100KHZ 100mV 8mA DC

 NINGBO RHT ELECTRONIC CO.,LTD

UNITS:mm	SHEET SIZE: A4			SCALE:---	DRWN BY PAN
0~3	3~18	18~50	50~120	CHK'D BY FENG	
±0.12	±0.15	±0.3	±0.5	APPR BY ZHAN	

100 Base 1x2 Tab-Down RJ45
 THIRD ANGLE PROJECTION
 RHTLYL158-1X2-G