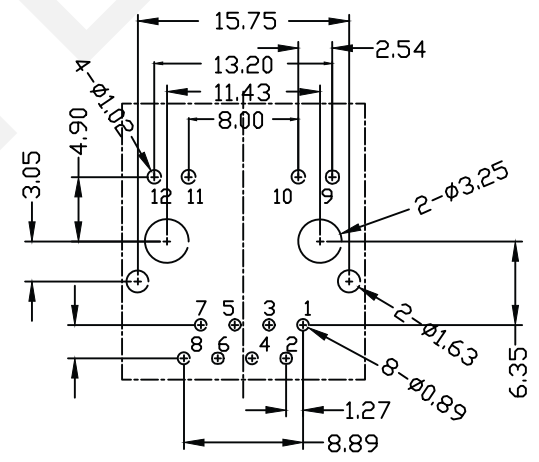
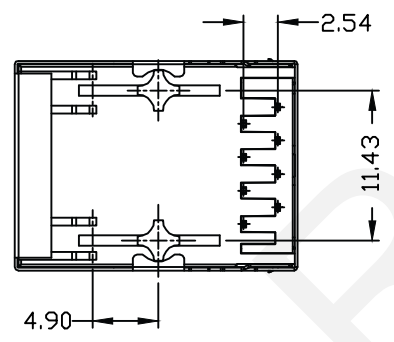


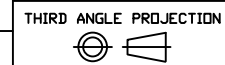
Order Information
 RHTLYL155-1X1-G
 Part Number
 Ports:1x1 Ports
 LED Style
 Yellow/Green



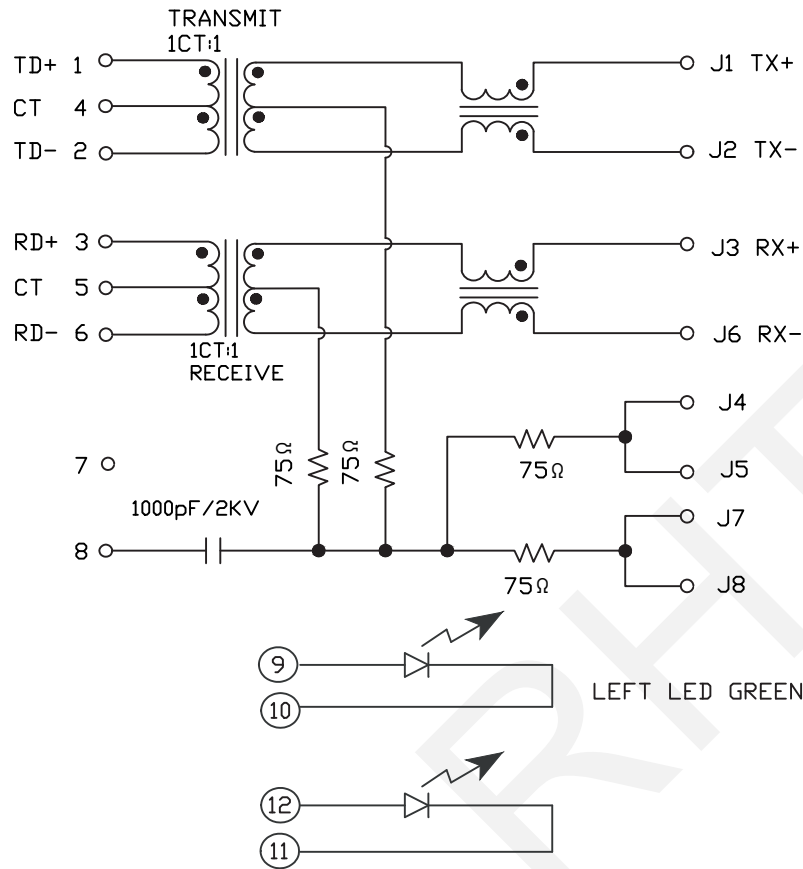
PCB LAYOUT

RHTECP NINGBO RHT ELECTRONIC CO.,LTD

UNITS:mm	SHEET SIZE: A4				SCALE:---	DRWN BY PAN
0~3	3~18	18~50	50~120	CHK'D BY FENG	100 Base 1x1 Tab-Down RJ45	
±0.12	±0.15	±0.3	±0.5	APPR BY ZHAN	RHTLYL155-1X1-G	



RHTLYL155-1X1-G



PC BOARD CONNECTIONS

RJ45 CONNECTIONS

Electrical Specifications:
Insertion Loss: 1-100MHZ -1.0dB MAX

Return Loss: 1-30MHZ -16.0dB MIN
30-60MHZ -14.0dB MIN
60-80MHZ -10.0dB MIN

Cross Talk: 1-30MHZ -40.0dB MIN
30-60MHZ -35.0dB MIN
60-80MHZ -30.0dB MIN

CMR: 1M-100MHZ -35dB MIN
Hi-Pot: 1500v AC 6S 1mA
Turn Ratio:1CT:1CT+/-3%.
□CL:350uH MIN @ 100KHZ 100mV 8mA DC

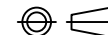
Contacts:
0.35mm thick phos bronze plated with 6u' gold in contact area
Housing Material:PBT BLACK
Operating temperature range: 40°C~+85°C

 NINGBO RHT ELECTRONIC CO.,LTD

UNITS:mm	SHEET SIZE: A4			SCALE:---	DRWN BY PAN
0~3	3~18	18~50	50~120	CHK'D BY FENG	
±0.12	±0.15	±0.3	±0.5	APPR BY ZHAN	

100 Base 1x1 Tab-Down RJ45

THIRD ANGLE PROJECTION



RHTLYL155-1X1-G