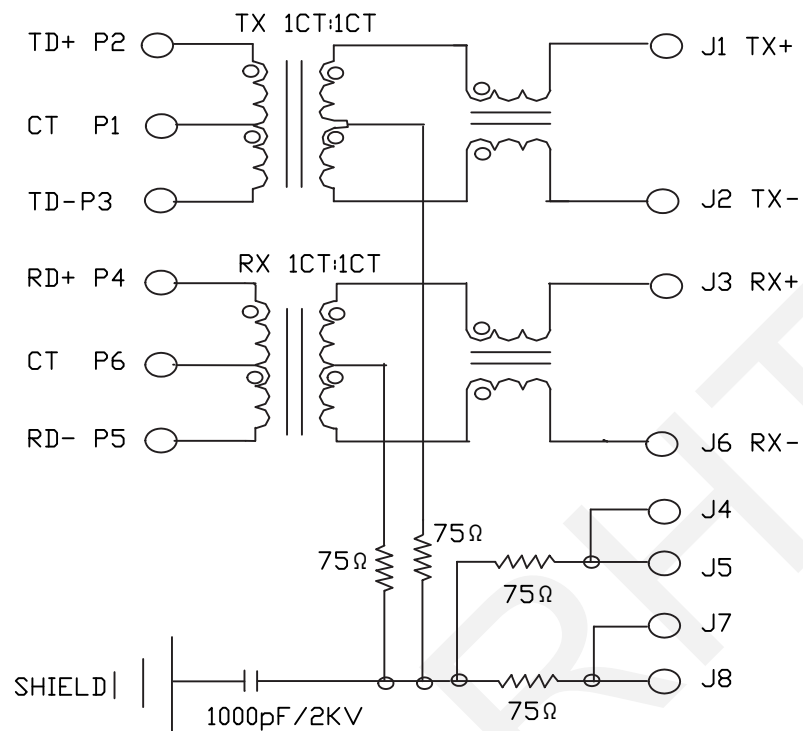


Order Information
RHTLYL152-1X1USB-03
 Part Number
 Gold Plating:06u"

G	NINGBO RHT ELECTRONIC CO.,LTD			UNITS:mm	SHEET SIZE: A4	SCALE:---	DRWN BY PAN	100 Base RJ45			
				0~3	3~18	18~50	50~120	CHK'D BY FENG	THIRD ANGLE PROJECTION 	RHTLYL152-1X1USB-03	
				±0.12	±0.15	±0.3	±0.5	APPR BY ZHAN			
1	2	3	4	5	6	7	8	9			



Electrical Specifications:

Insertion Loss: 1-100MHZ -1.0dB MAX

Return Loss: 1-30MHZ -16.0dB MIN
 30-60MHZ -14.0dB MIN
 60-80MHZ -10.0dB MIN

Cross Talk: 1-30MHZ -40.0dB MIN
 30-60MHZ -35.0dB MIN
 60-80MHZ -30.0dB MIN

CMR: 1M-100MHZ -35dB MIN

Hi-Pot: 1500v AC 6S 1mA

Turn Ratio:1CT:1CT+/-3%.


DCL:350uH MIN @ 100KHZ 100mV 8mA DC

Contacts:

0.35mm thick phos bronze plated with 6u' gold in contact area

Housing Material:PBT BLACK

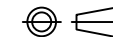
Operating temperature range: 40°C~+85°C

 NINGBO RHT ELECTRONIC CO.,LTD

UNITS:mm	SHEET SIZE: A4			SCALE:---	DRWN BY PAN
0~3	3~18	18~50	50~120	CHK'D BY FENG	
±0.12	±0.15	±0.3	±0.5	APPR BY ZHAN	

100 Base RJ45

THIRD ANGLE PROJECTION



RHTLYL152-1X1USB-03