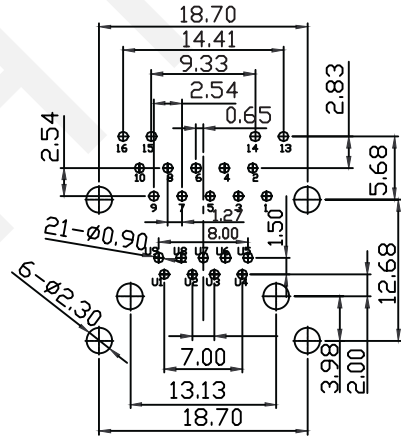
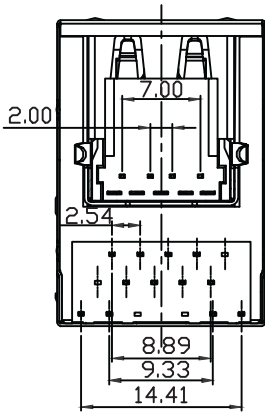
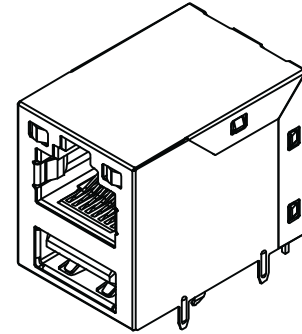
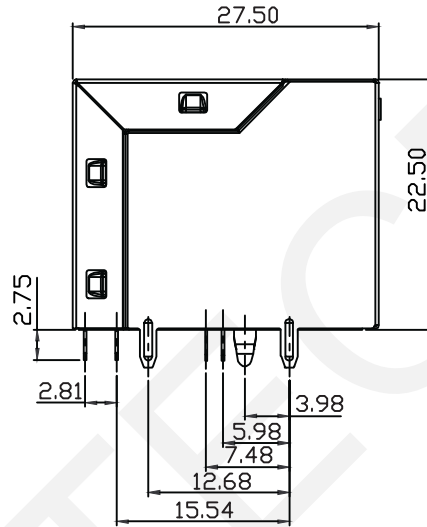
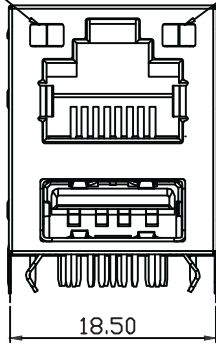


GREEN/Orange YELLOW



PCB LAYOUT

Order Information

RHTLYL148-1X1-GD

Part Number

Ports: 1x1 Ports

LED Style

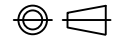
Green&Orange/Yellow

RHTECP NINGBO RHT ELECTRONIC CO.,LTD

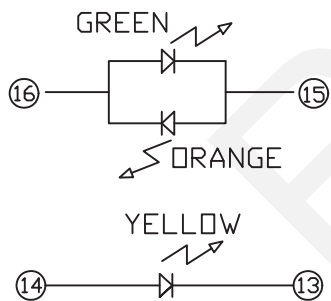
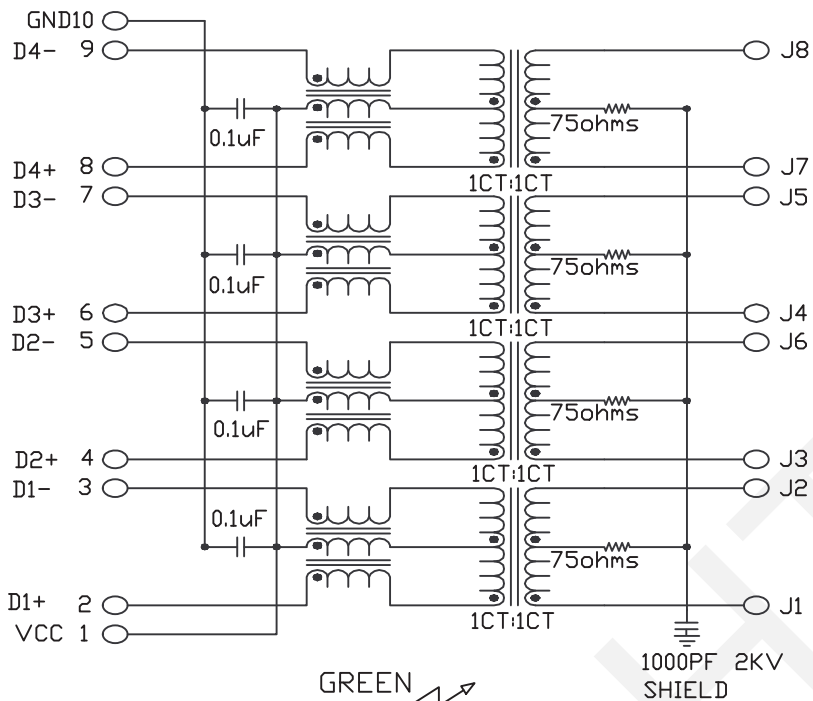
UNITS:mm	SHEET SIZE: A4			SCALE:---	DRWN BY PAN
0~3	3~18	18~50	50~120	CHK'D BY FENG	
±0.12	±0.15	±0.3	±0.5	APPR BY ZHAN	

1000 Base 1x1 RJ45

THIRD ANGLE PROJECTION



RHTLYL148-1X1-GD



Electrical Specifications:

NOTES:

USB PART:

Plastic: PBT+30%GF or PA66+30%GF, BLACK

Shell: Brass or SPCC-SD:T=0.30, NI-PLATED

Terminal: Brass, T=0.25; Gold/Tin Plated

Insulation Resistance: 1000MΩ Min

Contact Resistance: 30mΩ Max

High Voltage: 500V AC

Insertion force: 3.57 Kg Max

Withdrawal force: 1.02 Kg Min

LED Specification

Standard	LED	Forward	Typical	Luminous
LED Color:	Wavelength	(V MAX)	(V TYP)	Intensity
Green	560-580 nm	2.5V	2.1-2.2V	9-25 MCD
Yellow	580-610 nm	2.5V	2.1-2.2V	9-30 MCD
Orange	580-610 nm	2.5V	2.1-2.2V	50-100 MCD

RJ45 PART

Copper Shell:C2680H,T=0.20;copper bottom:Nickel-plated 50μ Min

Plastic Shell:Holder,Rear cover:PBT, BLACK

RJ45S C Side:C5210H, T=0.35

Contact area:Gold-plated 6μ The end of terminal:Tin-plated 100-120μ

RJ45S A side: C2680H, T=0.35; Terminal: Tin-plated 100-200μ

Mechanical working life 750times Min

 NINGBO RHT ELECTRONIC CO.,LTD

UNITS:mm

SHEET SIZE: A4

SCALE:---

DRWN BY PAN

1000 Base 1x1 RJ45

0~3

3~18

18~50

50~120

CHK'D BY FENG

THIRD ANGLE PROJECTION

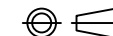
±0.12

±0.15

±0.3

±0.5

APPR BY ZHAN



RHTLYL148-1X1-G0

1

2

3

4

5

6

7

8

9