

Order Information

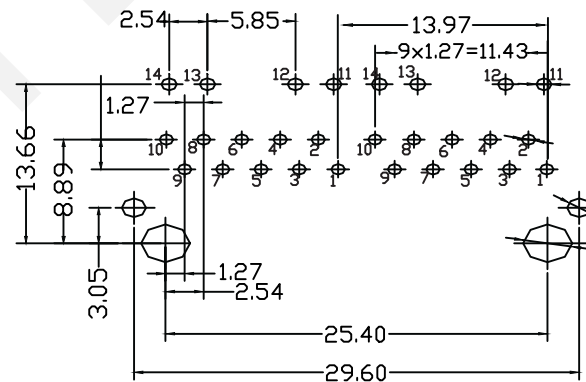
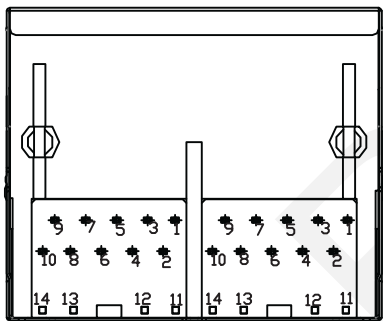
RHTLYL147-1X2-G

Part Number

Ports:1x2 Ports

LED Style

G-Green/Yellow

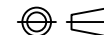


COMPONENT SIDE VIEW TOP VIEW

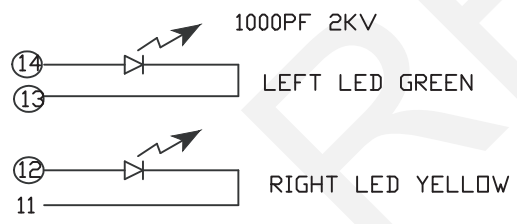
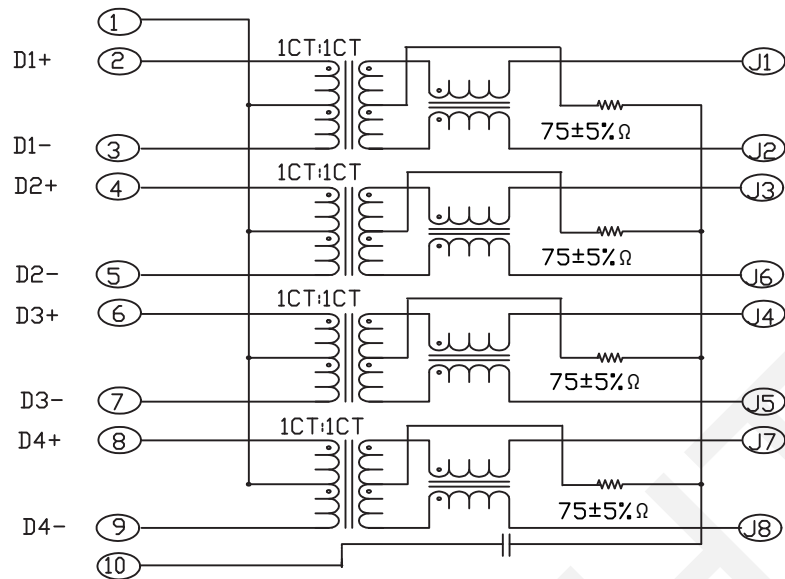
RHTECP NINGBO RHT ELECTRONIC CO.,LTD

UNITS:mm	SHEET SIZE: A4				SCALE:---	DRWN BY PAN
0~3	3~18	18~50	50~120	CHK'D BY FENG	1000 Base 1x2 Tab-up RJ45	
±0.12	±0.15	±0.3	±0.5	APPR BY ZHAN	RHTLYL147-1X2-G	

THIRD ANGLE PROJECTION



RHTLYL147-1X2-G



Electrical Specifications:

Insertion Loss: 1-100MHZ -1.0dB MAX

Return Loss: 1-30MHZ -16.0dB MIN
 30-60MHZ -14.0dB MIN
 60-80MHZ -10.0dB MIN

Cross Talk: 1-30MHZ -40.0dB MIN
 30-60MHZ -35.0dB MIN
 60-80MHZ -30.0dB MIN

CMR: 1M-100MHZ -35dB MIN

Hi-Pot: 1500v AC 6S 1mA

Turn Ratio:1CT:1CT+/-3%.

QCL:350uH MIN @ 100KHZ 100mV 8mA DC

Contacts:

0.35mm thick phos bronze plated with 6u' gold in contact area

Housing Material:PBT BLACK

Operating temperature range: 40°C~+85°C

NINGBO RHT ELECTRONIC CO.,LTD

UNITS:mm	SHEET SIZE: A4			SCALE:---	DRWN BY PAN
0~3	3~18	18~50	50~120	CHK'D BY FENG	
±0.12	±0.15	±0.3	±0.5	APPR BY ZHAN	

1000 Base 1x2 Tab-up RJ45
 THIRD ANGLE PROJECTION
 RHTLYL147-1X2-G