

Order Information

RHTLYL142-1X2-03

Part Number

Ports:1x2 Ports

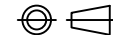
Gold Plating:06u"

**RHTECP** NINGBO RHT ELECTRONIC CO.,LTD

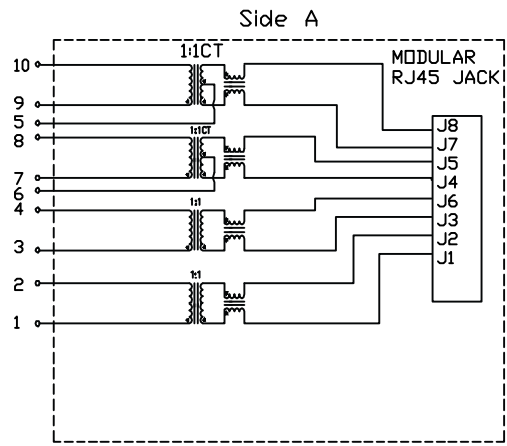
UNITS:mm	SHEET SIZE: A4			SCALE:---
DRWN BY PAN	0~3	3~18	18~50	50~120
CHK'D BY FENG	±0.12	±0.15	±0.3	±0.5
APPR BY ZHAN				

1000 Base 1x2 Tab-Down RJ45

THIRD ANGLE PROJECTION



RHTLYL142-1X2-03



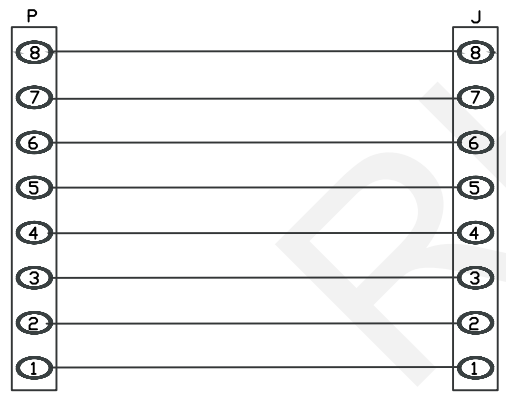
Electrical Specifications:  
 Insertion Loss: 1-100MHZ -1.0dB MAX

Return Loss: 1-30MHZ -16.0dB MIN  
 30-60MHZ -14.0dB MIN  
 60-80MHZ -10.0dB MIN

Cross Talk: 1-30MHZ -40.0dB MIN  
 30-60MHZ -35.0dB MIN  
 60-80MHZ -30.0dB MIN

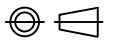
CMR: 1M-100MHZ -35dB MIN  
 Hi-Pot: 1500v AC 6S 1mA  
 Turn Ratio:1CT:1CT+/-3%.  
 QCL:350uH MIN @ 100KHZ 100mV 8mA DC

Contacts:  
 0.35mm thick phos bronze plated with 6u' gold in contact area  
 Housing Material:PBT BLACK  
 Operating temperature range: 40°C~+85°C



 NINGBO RHT ELECTRONIC CO.,LTD

UNITS:mm	SHEET SIZE: A4			SCALE:---	DRWN BY PAN
0~3	3~18	18~50	50~120	CHK'D BY FENG	
±0.12	±0.15	±0.3	±0.5	APPR BY ZHAN	

1000 Base 1x2 Tab-Down RJ45  
 THIRD ANGLE PROJECTION  
  
 RHTLYL142-1X2-03