

Order Information

RHTLYL139-2X8 GY

Part Number: 2X8Ports

LED Style:

Green&Yellow/

Green&Yellow

ELECTRICAL:

RoHS peak wave solder temperature rating 235

High performance for maximum EMI suppression

350uH minimum OCL with 8mA bias current

MECHANICAL:

JACK CAVITY CONFORMS TO FCC RULES AND

REGULATIONS,PART 68 SUBPART F.

INSERTION FORCE: 2 CONTACTS----350g 4 CONTACTS----500g

6 CONTACTS----750g 8 CONTACTS----900g

10 CONTACTS----1050g

RETENTION STRENGTH: 7.7Kgs BETWEEN JACK AND PLUG

DURABILITY: 750 MATING CYCLES Mini

MATERIAL:

HOUSING: 1) GLASS FILLED PA66 (UL94V-0)

2) GLASS FILLED PA46/LCP (UL94V-0)

3) GLASS FILLED PBT (UL94V-0)

SPRING WIRE: 1) 0.2-0.45mm DIA PHOSPHOR BRONZE GOLD PLATING OVER NICKE

2) 0.2-0.35mm THICKNESS PHOSPHOR BRONZE ALLOY

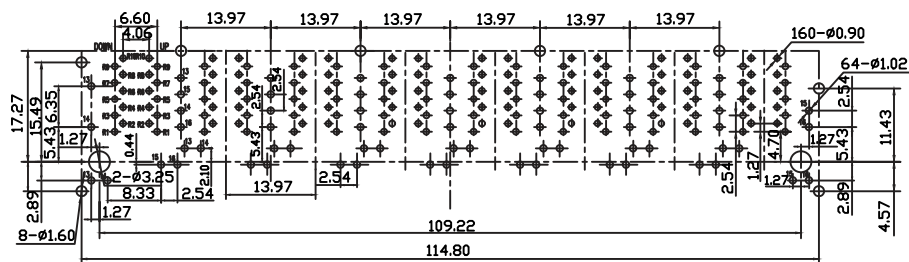
SELECTIVE GOLD PLATING OVER NICKEL

SHIELDING: 0.12-0.24mm THICKNESS COPPER ALLOY WITH TIN PLATED

GOLD PLATING: 3u", 6u", 15u", 30u", 50u"

WORKING TEMPERATURE: -20°C~70°C

TOLERANCES UNLESS OTHERWISE SPECIFIED: 0~10±0.15, 10~20±0.2, 20~40±0.25, 40~70±0.3, ≥70±0.4



PCB BOARD LAYOUT

RHTECP NINGBO RHT ELECTRONIC CO.,LTD

UNITS:mm

SHEET SIZE: A4

SCALE:---

DRWN BY PAN

1000 Base 2x8 RJ45

0~3

3~18

18~50

50~120

CHK'D BY FENG

THIRD ANGLE PROJECTION

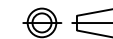
±0.12

±0.15

±0.3

±0.5

APPR BY ZHAN



RHTLYL139-2X8-GY

1

2

3

4

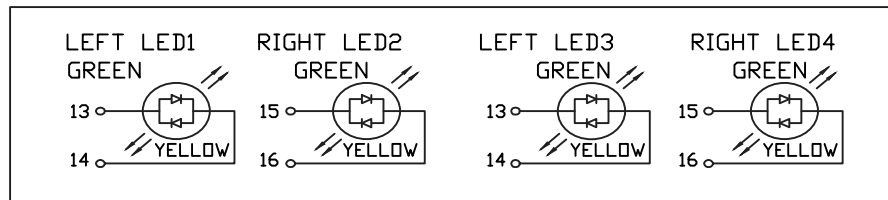
5

6

7

8

9

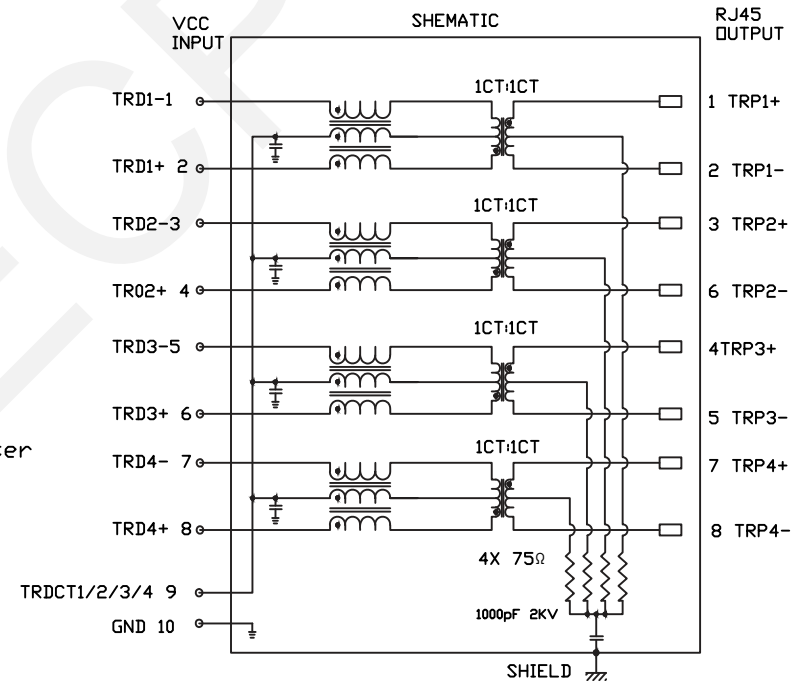


LED Specification				
Standard LED Color:	LED Wavelength	Forward (V MAX)	Typical (V TYP)	Luminous Intensity
Green	560-580 nm	2.5V	2.1-2.2V	9-25 MCD
Yellow	580-610 nm	2.5V	2.1-2.2V	9-30 MCD
Orange	580-610 nm	2.5V	2.1-2.2V	50-100 MCD

- LED intensity/wavelength measured with Photo Research PR-650 Colorimeter
- With a forward current of 20 mA, Absolute Maximum Ratings (Ta=25°C)

ELECTRICAL SPECIFICATIONS AT 25°C

Insertion Loss dB max	Return Loss dB min		Crosstalk(dB TYP)	Common Mode Rejection (dB TYP)	Hipot (vrms)
	1-30MHz	30-80MHz			
1-125MHz	1-30MHz	30-80MHz	1-100MHz	1-100MHz	1500/0.5mA OR 2250DC/0.1mA
-1.2	-18	-18+20log (f/30MHz)	-30	-30	



NINGBO RHT ELECTRONIC CO.,LTD

UNITS:mm	SHEET SIZE: A4	SCALE:---	DRWN BY PAN
0~3	3~18	18~50	50~120
±0.12	±0.15	±0.3	±0.5

CHK'D BY FENG
APPR BY ZHAN

1000 Base 2x8 RJ45

THIRD ANGLE PROJECTION

RHTLYL139-2X8-GY