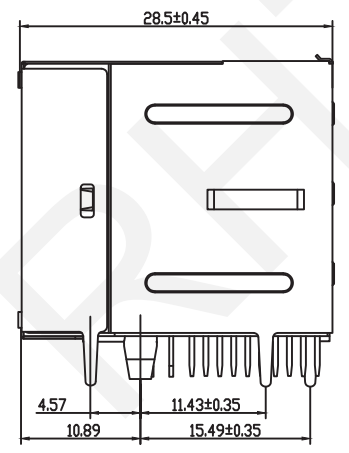
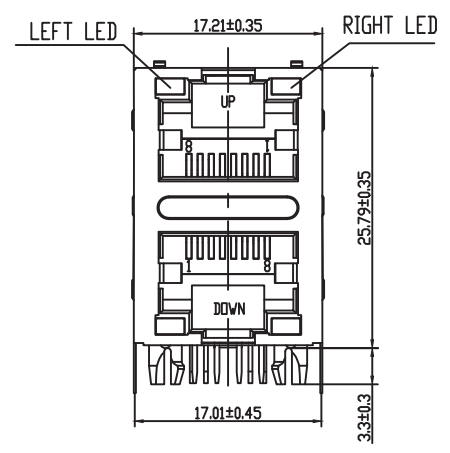


PCB BOARD LAYOUT



ELECTRICAL:

RoHS peak wave solder temperature rating 235
 High performance for maximum EMI suppression
 350uH minimum OCL with 8mA bias current
 PoE rating:15W,350mA,48V (For PoE Products only)

MECHANICAL:

JACK CAVITY CONFORMS TO FCC RULES AND REGULATIONS,PART 68 SUBPART F.
 INSERTION FORCE: 2 CONTACTS----350g 4 CONTACTS----500g
 6 CONTACTS----750g 8 CONTACTS----900g
 10 CONTACTS----1050g
 RETENTION STRENGTH: 7.7Kgs BETWEEN JACK AND PLUG
 DURABILITY: 750 MATING CYCLES Mini

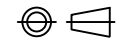
MATERIAL:

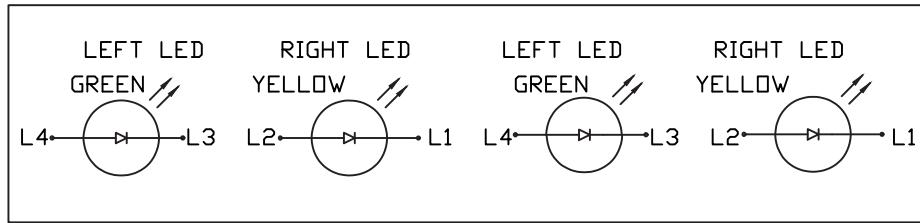
HOUSING: 1) GLASS FILLED PA66 (UL94V-0)
 2) GLASS FILLED PA46/LCP (UL94V-0)
 3) GLASS FILLED PBT (UL94V-0)
 SPRING WIRE:1)0.2-0.45mm DIA PHOSPHOR BRONZE GOLD PLATING OVER NICKEL
 2)0.2-0.35mm THICKNESS PHOSPHOR BRONZE ALLOY
 SELECTIVE GOLD PLATING OVER NICKEL

SHIELDING:0.12-0.24mm THICKNESS COPPER ALLOY WITH TIN PLATED
 GOLD PLATING:3u", 6u", 15u", 30u", 50u"
 WORKING TEMPERATURE: -20°C~70°C
 TOLERANCES UNLESS OTHERWISE SPECIFIED:0~10±0.15,10~20±0.2,20~40±0.25,10~70±0.3,≥70±0.4

RHTECP NINGBO RHT ELECTRONIC CO.,LTD

| | | | | | |
|----------|----------------|-------|--------|---------------|-------------|
| UNITS:mm | SHEET SIZE: A4 | | | SCALE:--- | DRWN BY PAN |
| 0~3 | 3~18 | 18~50 | 50~120 | CHK'D BY FENG | |
| ±0.12 | ±0.15 | ±0.3 | ±0.5 | APPR BY ZHAN | |

1000 Base 2x1 RJ45
 THIRD ANGLE PROJECTION

 RHTLYL133-2X1-G

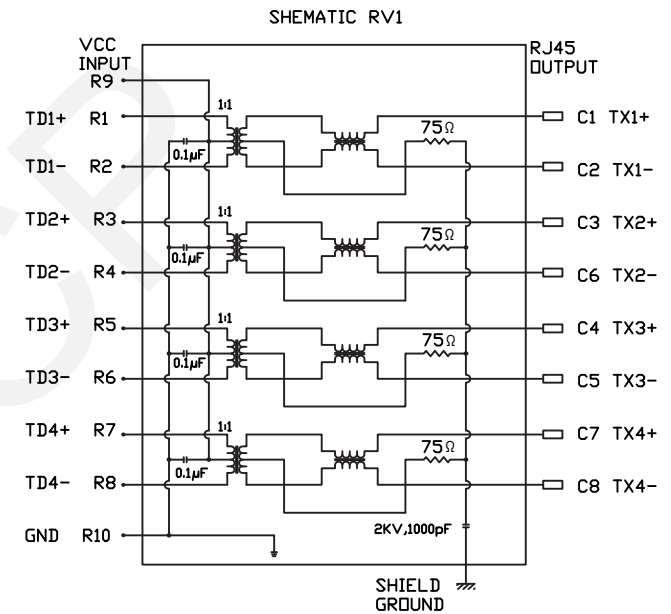


| LED Specification | | | | |
|---------------------|----------------|-----------------|-----------------|--------------------|
| Standard LED Color: | LED Wavelength | Forward (V MAX) | Typical (V TYP) | Luminous Intensity |
| Green | 560-580 nm | 2.5V | 2.1-2.2V | 9-25 MCD |
| Yellow | 580-610 nm | 2.5V | 2.1-2.2V | 9-30 MCD |

- LED intensity/wavelength measured with Photo Research PR-650 Colormeter
- With a forward current of 20 mA, Absolute Maximum Ratings (Ta=25°C)

ELECTRICAL SPECIFICATIONS AT 25°C

| Insertion Loss dB max | Return Loss dB min | | | Crosstalk(dB TYP) | | | Common Mode Rejection (dB TYP) | | Hipot (vrms) |
|-----------------------|--------------------|----------|-----------|-------------------|----------|-----------|--------------------------------|-----------|--------------|
| | 1-30MHz | 30-60MHz | 60-100MHz | 1-30MHz | 30-60MHz | 60-100MHz | 1-50MHz | 50-150MHz | |
| -1.0 | -18 | -16 | -12 | -40 | -35 | -30 | -30 | -20 | 1500/0.5mA |



Order Information

RHTLYL133-2X1 G

Part Number: 2X1Ports

LED Style: G-Green/Yellow

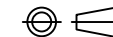
NINGBO RHT ELECTRONIC CO.,LTD

| | | | |
|----------|----------------|-----------|-------------|
| UNITS:mm | SHEET SIZE: A4 | SCALE:--- | DRWN BY PAN |
| 0~3 | 3~18 | 18~50 | 50~120 |
| ±0.12 | ±0.15 | ±0.3 | ±0.5 |

| |
|---------------|
| CHK'D BY FENG |
| APPR BY ZHAN |

1000 Base 2x1 RJ45

THIRD ANGLE PROJECTION



RHTLYL133-2X1-G