

ELECTRICAL:

RoHS peak wave solder temperature rating 235
 High performance for maximum EMI suppression
 350uH minimum OCL with 8mA bias current
 PoE rating: 15W, 350mA, 48V (For PoE Products only)

MECHANICAL:

JACK CAVITY CONFORMS TO FCC RULES AND REGULATIONS, PART 68 SUBPART F.
 INSERTION FORCE: 2 CONTACTS----350g 4 CONTACTS----500g
 6 CONTACTS----750g 8 CONTACTS----900g
 10 CONTACTS----1050g
 RETENTION STRENGTH: 7.7Kgs BETWEEN JACK AND PLUG
 DURABILITY: 750 MATING CYCLES Mini

MATERIAL:

HOUSING: 1) GLASS FILLED PA66 (UL 94V-0)
 2) GLASS FILLED PA46/LCP (UL 94V-0)
 3) GLASS FILLED PBT (UL 94V-0)

SPRING WIRE: 1) 0.2-0.45mm DIA PHOSPHOR BRONZE GOLD PLATING OVER NICKEL
 2) 0.2-0.35mm THICKNESS PHOSPHOR BRONZE ALLOY
 SELECTIVE GOLD PLATING OVER NICKEL

SHIELDING: 0.12-0.24mm THICKNESS COPPER ALLOY WITH TIN PLATED

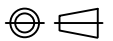
GOLD PLATING: 3u", 6u", 15u", 30u", 50u"

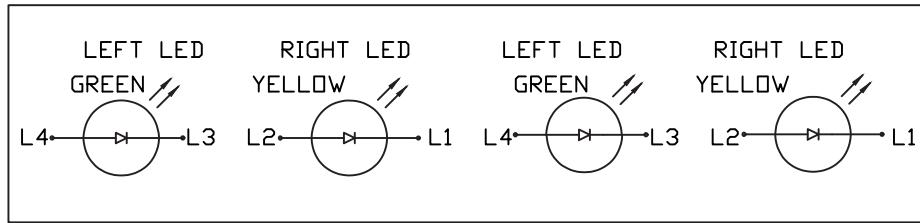
WORKING TEMPERATURE: -20°C~70°C

TOLERANCES UNLESS OTHERWISE SPECIFIED: 0~10±0.15, 10~20±0.2, 20~40±0.25, 40~70±0.3, ≥70±0.4

RHTECP NINGBO RHT ELECTRONIC CO.,LTD

UNITS:mm	SHEET SIZE: A4	SCALE:---	DRWN BY PAN
0~3	3~18	18~50	50~120
±0.12	±0.15	±0.3	±0.5
			CHK'D BY FENG
			APPR BY ZHAN

1000 Base 2x4 RJ45
 THIRD ANGLE PROJECTION

 RHTLY7L002-2X4-G

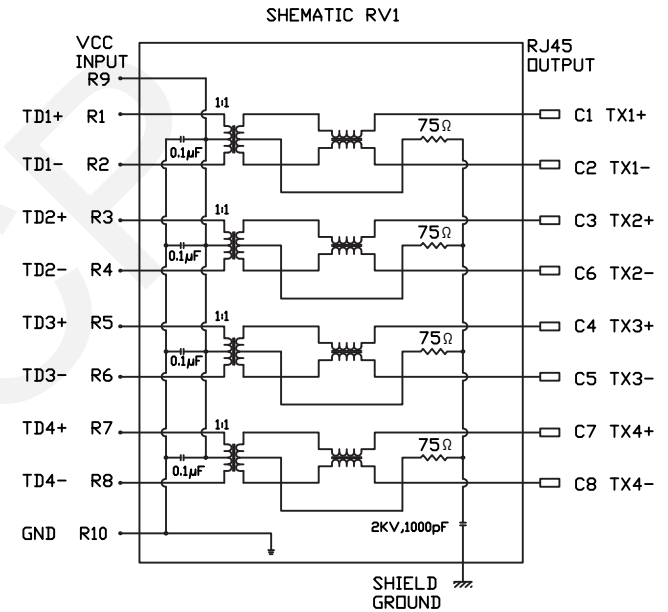


LED Specification				
Standard LED Color:	LED Wavelength	Forward (V MAX)	Typical (V TYP)	Luminous Intensity
Green	560-580 nm	2.5V	2.1-2.2V	9-25 MCD
Yellow	580-610 nm	2.5V	2.1-2.2V	9-30 MCD
Orange	580-610 nm	2.5V	2.1-2.2V	50-100 MCD

- LED intensity/wavelength measured with Photo Research PR-650 Colormeter
- With a forward current of 20 mA, Absolute Maximum Ratings (Ta=25°C)

ELECTRICAL SPECIFICATIONS AT 25°C

Insertion Loss dB max	Return Loss dB min			Crosstalk(dB TYP)			Common Mode Rejection (dB TYP)		Hipot (vrms)
	1-30MHz	30-60MHz	60-100MHz	1-30MHz	30-60MHz	60-100MHz	1-50MHz	50-150MHz	
-1.0	-18	-16	-12	-40	-35	-30	-30	-20	1500/0.5mA



Order Information

RHTLY7L002-2X4 G

Part Number: 2X4Ports

LED Style: G-Green/Yellow

NINGBO RHT ELECTRONIC CO.,LTD

UNITS:mm	SHEET SIZE: A4	SCALE:---	DRWN BY PAN
0~3	3~18	18~50	50~120
±0.12	±0.15	±0.3	±0.5

CHK'D BY FENG
APPR BY ZHAN

1000 Base 2x4 RJ45

THIRD ANGLE PROJECTION



RHTLY7L002-2X4-G