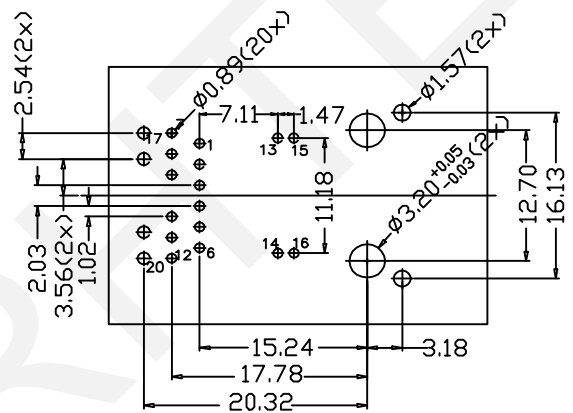
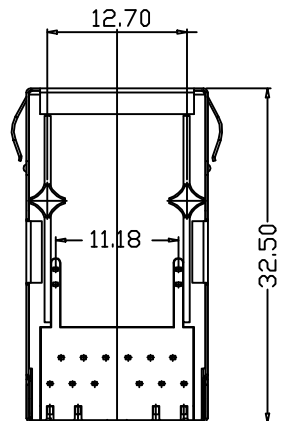
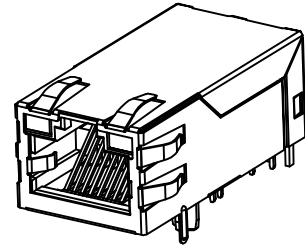
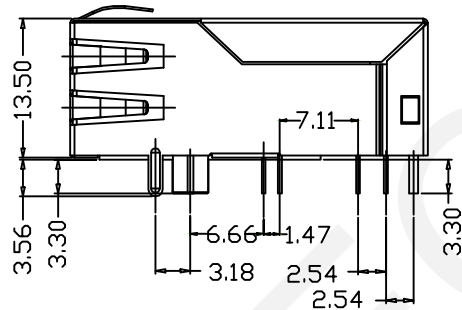
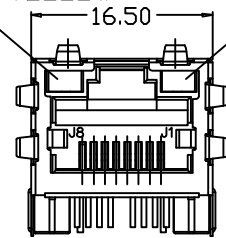


LEFT LED GREEN/YELLOW
RIGHT LED GREEN



Recommend P.C.B Layout
viewed From Component Side

Order Information

RHTLYL124-1X1-GY

Part Number

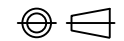
Ports :1x1 Ports

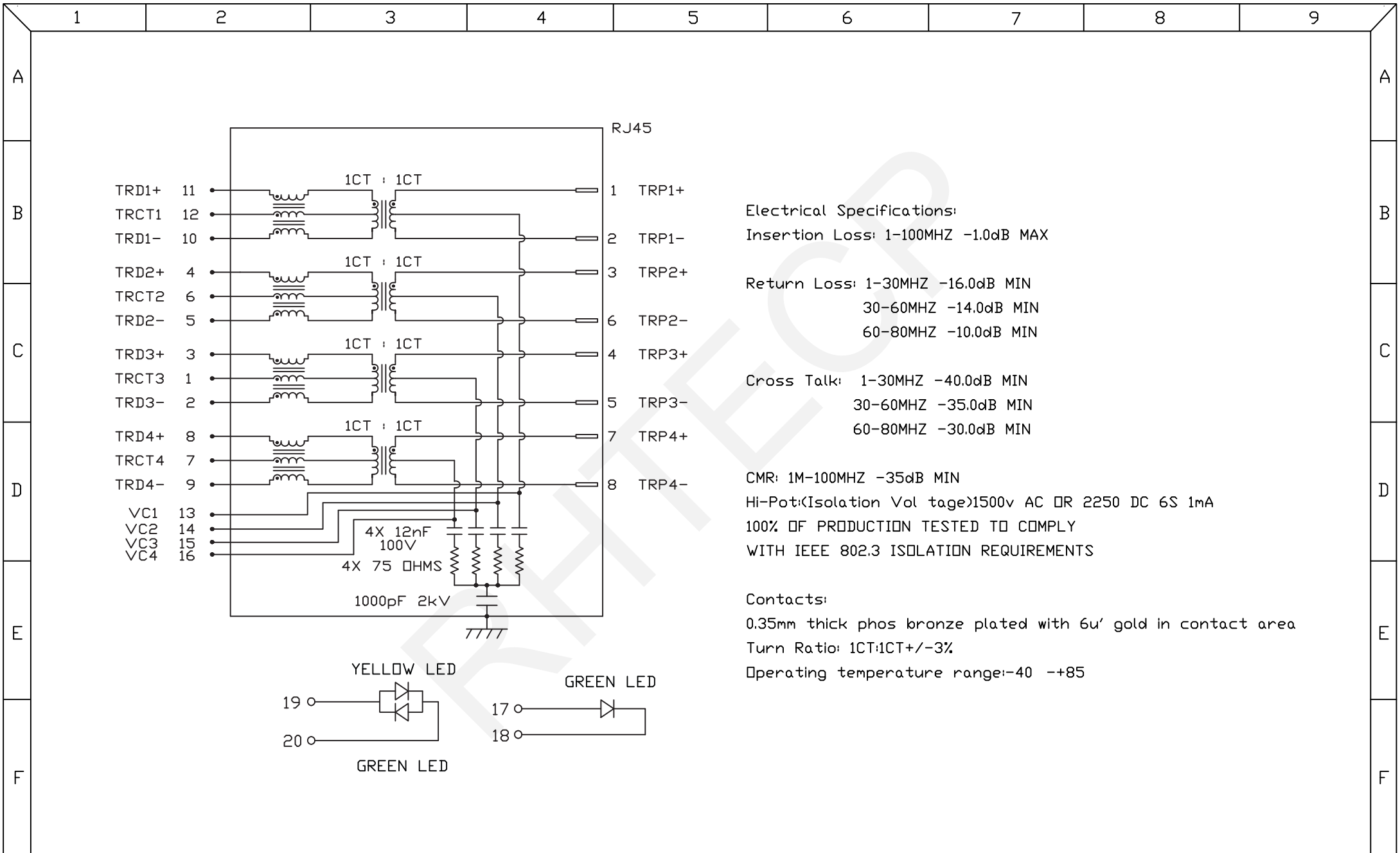
LED Style:Green&YELLOW/Green

RHTECP NINGBO RHT ELECTRONIC CO.,LTD

UNITS:mm	SHEET SIZE: A4			SCALE:---	DRWN BY PAN
0~3	3~18	18~50	50~120	CHK'D BY FENG	
±0.12	±0.15	±0.3	±0.5	APPR BY ZHAN	

100 Base 1x1 Tab-UP RJ45	
THIRD ANGLE PROJECTION	RHTLYL124-1X1-GY





Electrical Specifications:
 Insertion Loss: 1-100MHZ -1.0dB MAX

Return Loss: 1-30MHZ -16.0dB MIN
 30-60MHZ -14.0dB MIN
 60-80MHZ -10.0dB MIN

Cross Talk: 1-30MHZ -40.0dB MIN
 30-60MHZ -35.0dB MIN
 60-80MHZ -30.0dB MIN

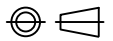
CMR: 1M-100MHZ -35dB MIN
 Hi-Pot:(Isolation Vol tage)1500v AC OR 2250 DC 6S 1mA
 100% OF PRODUCTION TESTED TO COMPLY
 WITH IEEE 802.3 ISOLATION REQUIREMENTS

Contacts:
 0.35mm thick phos bronze plated with 6u' gold in contact area
 Turn Ratio: 1CT:1CT+/-3%
 Operating temperature range:-40 --+85

RHTECP NINGBO RHT ELECTRONIC CO.,LTD

UNITS:mm	SHEET SIZE: A4			SCALE:---
0~3	3~18	18~50	50~120	
±0.12	±0.15	±0.3	±0.5	

DRWN BY PAN
 CHK'D BY FENG
 APPR BY ZHAN

100 Base 1x1 Tab-up RJ45
 THIRD ANGLE PROJECTION

 RHTLYL124-1X1-GY