

Recommend P.C.B Layout  
viewed From Component Side

Order Information

RHTLYL123-1X1-03

Part Number

Ports :1x1 Ports

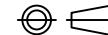
Gold Plating:06u"

**RHTECP** NINGBO RHT ELECTRONIC CO.,LTD

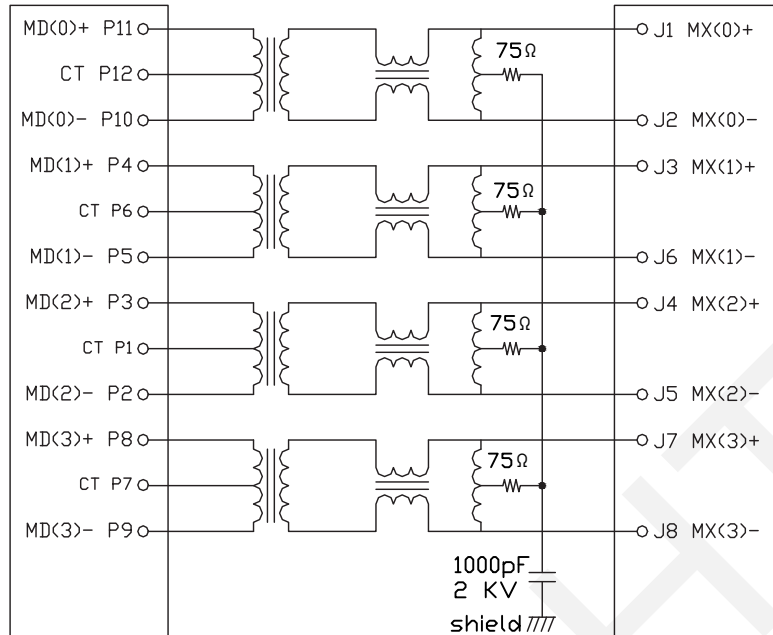
UNITS:mm	SHEET SIZE: A4	SCALE:---	DRWN BY PAN
0~3	3~18	18~50	50~120
±0.12	±0.15	±0.3	±0.5
			CHK'D BY FENG
			APPR BY ZHAN

100 Base 1x1 Tab-up RJ45

THIRD ANGLE PROJECTION



RHTLYL123-1X1-03



**Electrical Specifications:**

Insertion Loss: 1-100MHZ -1.0dB MAX

Return Loss: 1-30MHZ -16.0dB MIN  
 30-60MHZ -14.0dB MIN  
 60-80MHZ -10.0dB MIN

Cross Talk: 1-30MHZ -40.0dB MIN  
 30-60MHZ -35.0dB MIN  
 60-80MHZ -30.0dB MIN

CMR: 1M-100MHZ -35dB MIN

Hi-Pot: 1500v AC 6S 1mA

QCL:350uH MIN @ 100KHZ 100mV 8mA DC

**Contacts:**

0.35mm thick phos bronze plated with 6u' gold in contact area

Turn Ratio: 1CT:1CT+/-3%

Housing Material:PBT Black

Operating temperature range: 0°C~+70°C

**RHTECP** NINGBO RHT ELECTRONIC CO.,LTD

UNITS:mm	SHEET SIZE: A4			SCALE:---	DRWN BY PAN
0~3	3~18	18~50	50~120	CHK'D BY FENG	
±0.12	±0.15	±0.3	±0.5	APPR BY ZHAN	

100 Base 1x1 Tab-up RJ45

THIRD ANGLE PROJECTION



RHTLYL123-1X1-03