

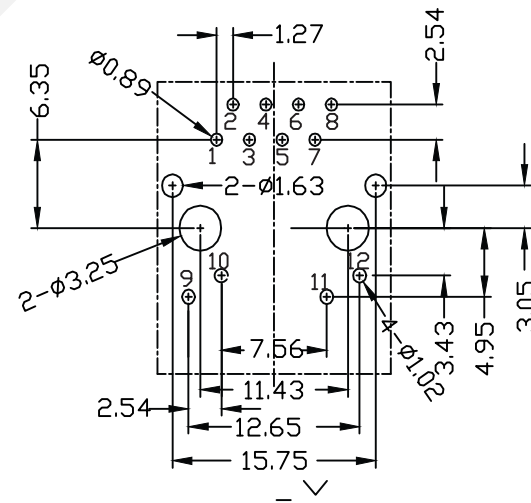
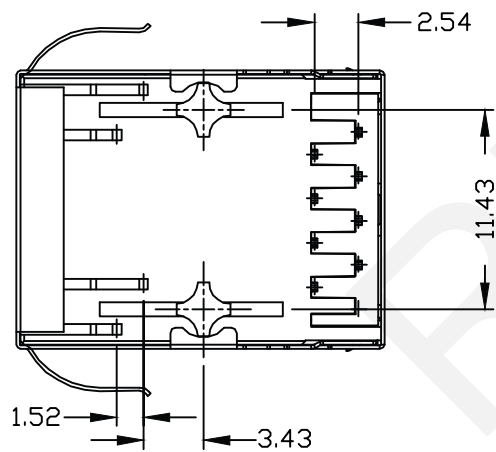
Order Information

RHTLYL117-1X1-G

Part Number

Ports :1x1 Ports

LED Style:Green/Green



**RHTECP** NINGBO RHT ELECTRONIC CO.,LTD

UNITS:mm

SHEET SIZE: A4

SCALE:---

DRWN BY PAN

100 Base 1x1 Tab-Down RJ45

0~3

3~18

18~50

50~120

CHK'D BY FENG

THIRD ANGLE PROJECTION

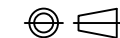
±0.12

±0.15

±0.3

±0.5

APPR BY ZHAN



RHTLYL117-1X1-G

1

2

3

4

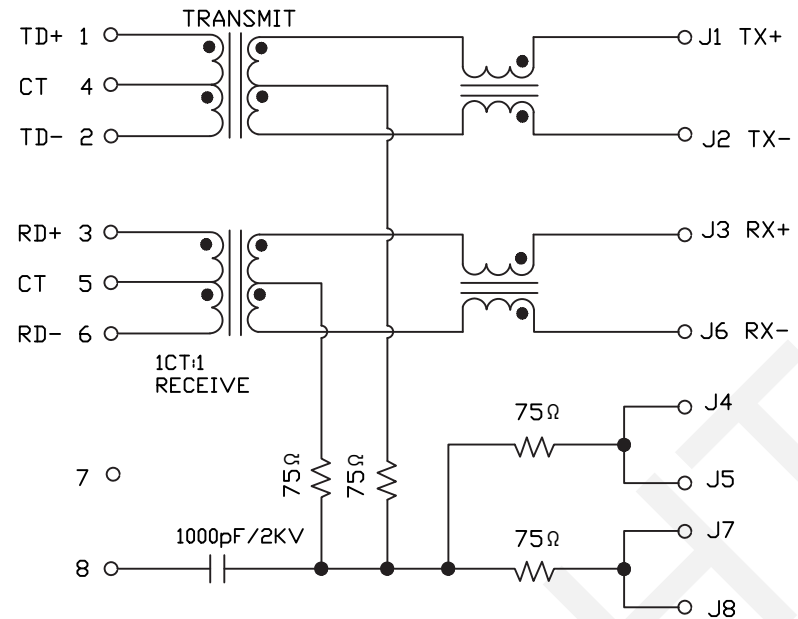
5

6

7

8

9



PC BOARD CONNECTIONS

RJ45 CONNECTIONS

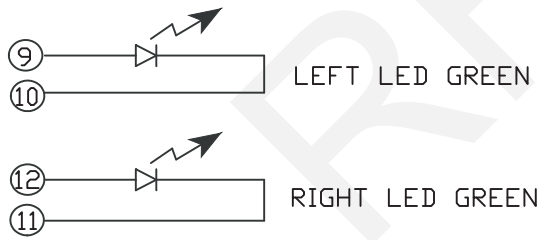
Electrical Specifications:  
 Insertion Loss: 1-100MHZ -1.0dB MAX

Return Loss: 1-30MHZ -16.0dB MIN  
 30-60MHZ -14.0dB MIN  
 60-80MHZ -10.0dB MIN

Cross Talk: 1-30MHZ -40.0dB MIN  
 30-60MHZ -35.0dB MIN  
 60-80MHZ -30.0dB MIN

CMR: 1M-100MHZ -35dB MIN  
 Hi-Pot: 1500v AC 6S 1mA  
 ICL:350uH MIN @ 100KHZ 100mV 8mA DC

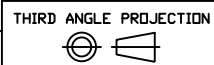
Contacts:  
 0.35mm thick phos bronze plated with 6u' gold in contact area  
 Housing Material:PBT Black  
 Operating temperature range: 40°C~+85°C  
 Turn Ratio:TX 1CT:1.414CT+/-3%, RX 1CT: 1CT+/-3%



**RHTECP** NINGBO RHT ELECTRONIC CO.,LTD

UNITS:mm	SHEET SIZE: A4			SCALE:---	DRWN BY PAN
0~3	3~18	18~50	50~120	CHK'D BY FENG	
±0.12	±0.15	±0.3	±0.5	APPR BY ZHAN	

100 Base 1x1 Tab-Down RJ45



RHTLYL117-1X1-G