

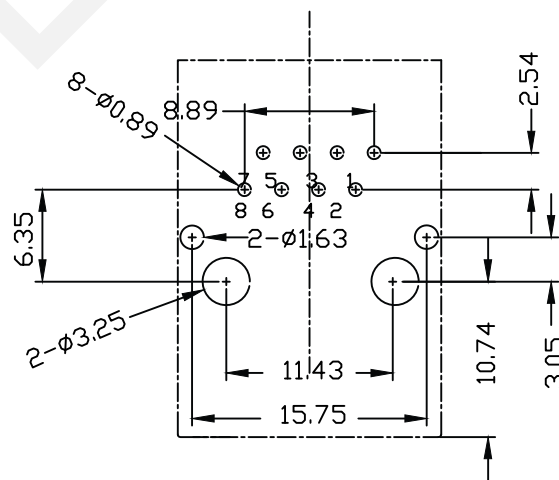
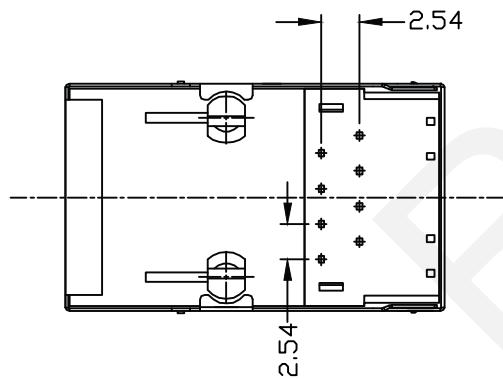
Order Information

RHTLYL115-1X1-03

Part Number

Ports :1x1 Ports

Gold Plating:06u"

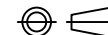


PCB LAYOUT

RHTECP NINGBO RHT ELECTRONIC CO.,LTD

UNITS:mm	SHEET SIZE: A4				SCALE:---	DRWN BY PAN
0~3	3~18	18~50	50~120	CHK'D BY FENG	100 Base 1x1 Tab-up RJ45	
±0.12	±0.15	±0.3	±0.5	APPR BY ZHAN	RHTLYL115-1X1-03	

THIRD ANGLE PROJECTION



RHTLYL115-1X1-03

1 2 3 4 5 6 7 8 9

A

B

C

D

E

F

A

B

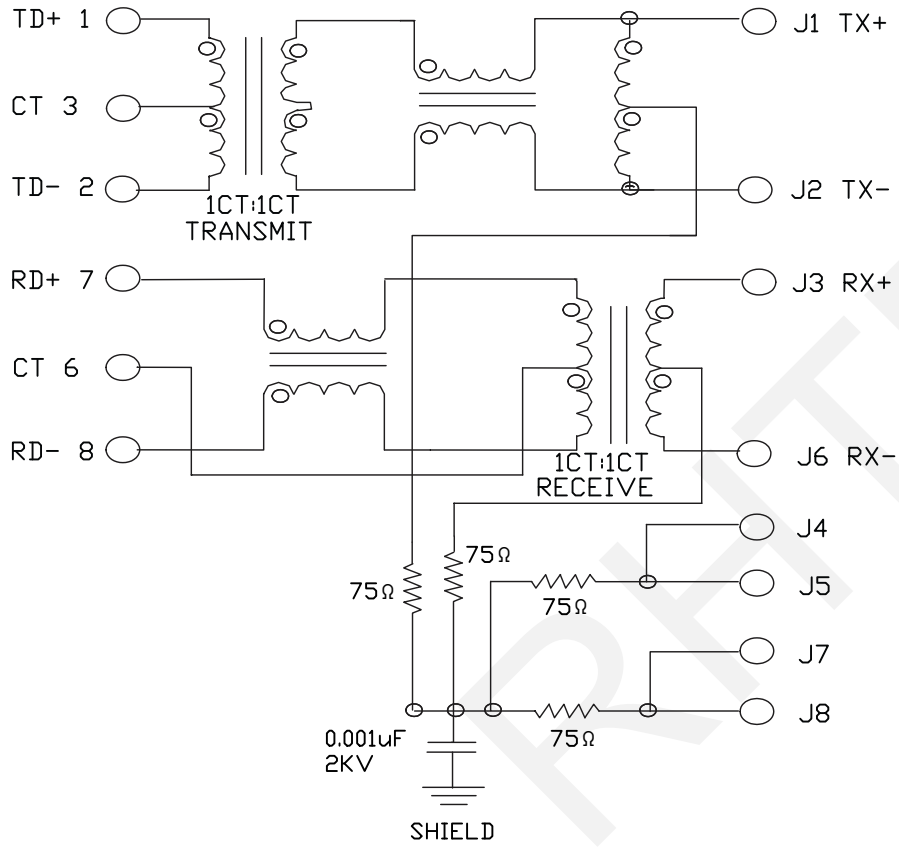
C

D

E

F

PCB SIDE TO PHY



CABLE SIDE

Electrical Specifications:
Insertion Loss: 1-100MHZ -1.0dB MAX

Return Loss: 1-30MHZ -16.0dB MIN
30-60MHZ -14.0dB MIN
60-80MHZ -10.0dB MIN

Cross Talk: 1-30MHZ -40.0dB MIN
30-60MHZ -35.0dB MIN
60-80MHZ -30.0dB MIN

CMR: 1M-100MHZ -35dB MIN
Hi-Pot: 1500v AC 6S 1mA
Turn Ratio:1CT:1CT+/-3%.
OCL:350uH MIN @ 100KHZ 100mV 8mA DC

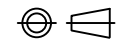
Contacts:
0.35mm thick phos bronze plated with 6u' gold in contact area
Housing Material:PBT Black
Operating temperature range: 0°C~+70°C

NINGBO RHT ELECTRONIC CO.,LTD

UNITS:mm	SHEET SIZE: A4			SCALE:---	DRWN BY PAN
0~3	3~18	18~50	50~120	CHK'D BY FENG	
±0.12	±0.15	±0.3	±0.5	APPR BY ZHAN	

100 Base 1x1 Tab-up RJ45

THIRD ANGLE PROJECTION



RHTLYL115-1X1-03

1 2 3 4 5 6 7 8 9

G

G