

Suggested PCB Layout(Component side view)

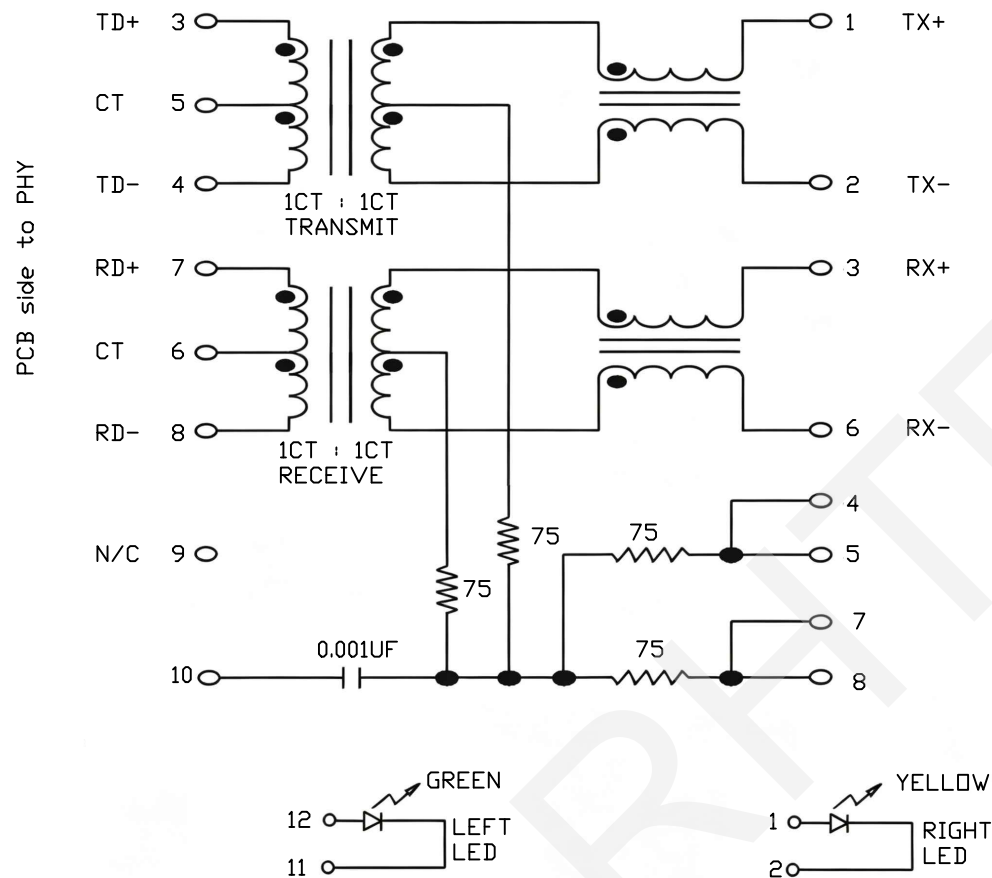
RHTECP NINGBO RHT ELECTRONIC CO.,LTD

UNITS:mm	SHEET SIZE: A4		SCALE:---
0~3	3~18	18~50	50~120
±0.12	±0.15	±0.3	±0.5

DRWN BY PAN
 CHK'D BY FENG
 APPR BY ZHAN

RJ45 Modular Jack 1x1Tab-UP 100BASE
 THIRD ANGLE PROJECTION
 RHTLYL061-G/Y-03-T

ELECTRICAL SPECIFICATIONS @ 25°C Unless Otherwise



Insertion Loss: 1-100MHZ -1.0dB MAX

Return Loss: 1-30MHZ -16.0dB MIN

30-60MHZ -14.0dB MIN

60-80MHZ -10.0dB MIN

Cross Talk: 1-30MHZ -40.0dB MIN

30-60MHZ -35.0dB MIN

60-80MHZ -30.0dB MIN

CMR: 1-100MHZ -35.0dB MIN

Hi-Pot: 1500v AC 6S 1mA

DCL:350uH MIN @ 100KHZ 100mV 8mA DC

Contacts:

0.35mm thick phos bronze plated with 6u' gold in contact are

Housing Material: LCP Black

Operating temperature range: 0°C to +70°C

Order Information

RHTLYL061-G/Y-03-T

Part Number

LED Style:G/Y-Green/Yellow

Gold Plating:06u"

Type:SMT

NINGBO RHT ELECTRONIC CO.,LTD

UNITS:mm

SHEET SIZE: A4

SCALE:---

DRWN BY PAN

RJ45 Modular Jack 1x1Tab-UP 100BASE

0~3

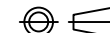
3~18

18~50

50~120

CHK'D BY FENG

THIRD ANGLE PROJECTION



RHTLYL061-G/Y-03-T

±0.12

±0.15

±0.3

±0.5

APPR BY ZHAN