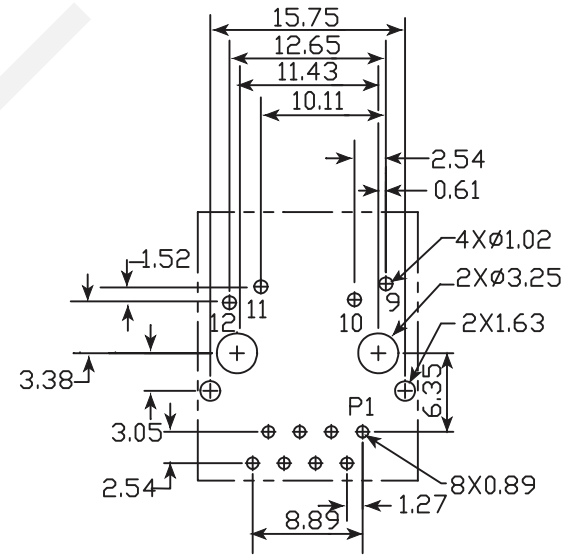
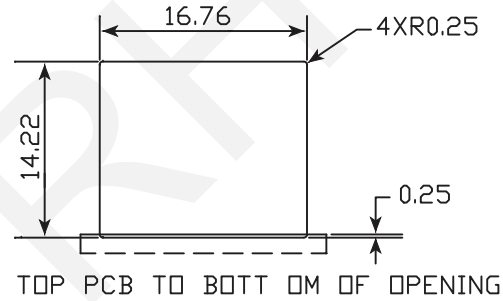
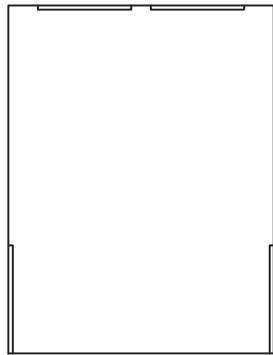
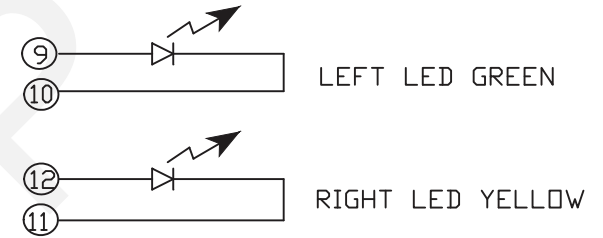
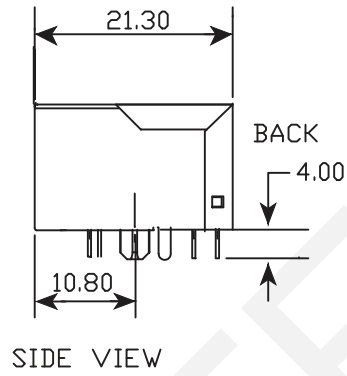
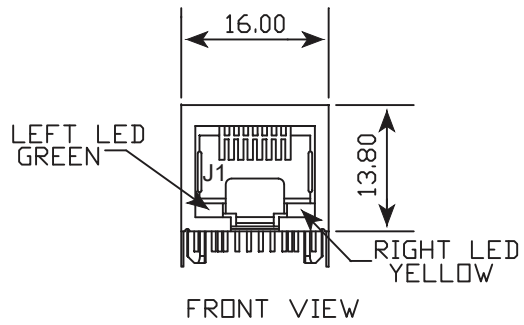


Mechanical



RHTECP NINGBO RHT ELECTRONIC CO.,LTD

UNITS:mm	SHEET SIZE: A4	SCALE:---	DRWN BY PAN
0~3	3~18	18~50	50~120
±0.12	±0.15	±0.3	±0.5

CHK'D BY FENG

APPR BY ZHAN

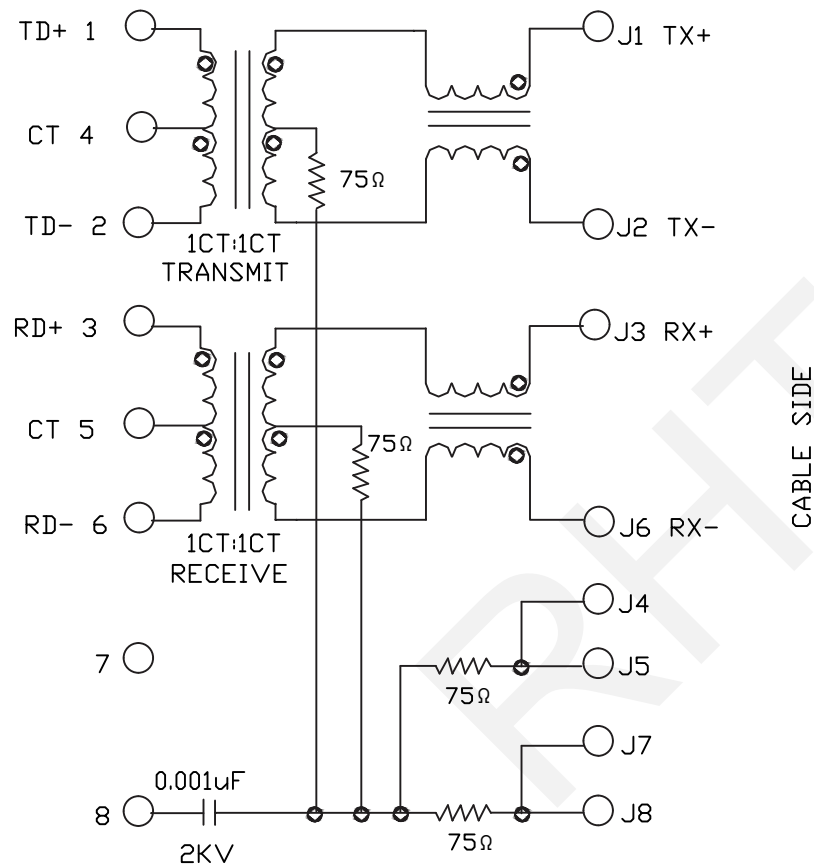
RJ45 Modular Jack 1x1 Tab-Down 100BASE

THIRD ANGLE PROJECTION

RHTLYL002C-1X1-G/Y-1-03

ELECTRICAL SPECIFICATIONS @ 25°C Unless Otherwise

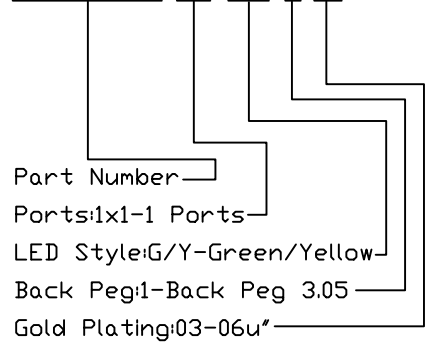
Schematics



Insertion Loss: 1-100MHZ -1.0dB MAX
 Return Loss: 1-30MHZ -16.0dB MIN
 30-60MHZ -14.0dB MIN
 60-80MHZ -10.0dB MIN
 Cross Talk: 1-30MHZ -40.0dB MIN
 30-60MHZ -35.0dB MIN
 60-80MHZ -30.0dB MIN
 CMR: 1-100MHZ -35.0dB MIN
 Hi-Pot: 1500v AC 6S 1mA
 DCL:350uH MIN @ 100KHZ 100mV 8mA DC
 Contacts:
 0.35mm thick phos bronze plated with 6u' gold in contact are
 Turn Ratio: 1CT:1CT+/-3%
 Housing Material: PBT Black
 Operating temperature range: 0°C to +70°C

Order Information

RHTLYL002C-1X1-G/Y-1-03



RHTECP NINGBO RHT ELECTRONIC CO.,LTD

UNITS:mm	SHEET SIZE: A4	SCALE:---	DRWN BY PAN
0~3	3~18	18~50	50~120
±0.12	±0.15	±0.3	±0.5

CHK'D BY FENG
 APPR BY ZHAN

RJ45 Modular Jack 1x1Tab-UP 100BASE
 THIRD ANGLE PROJECTION
 RHTLYL061-G/Y-03-T