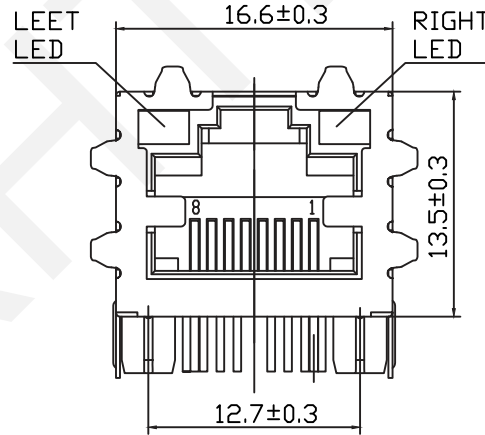
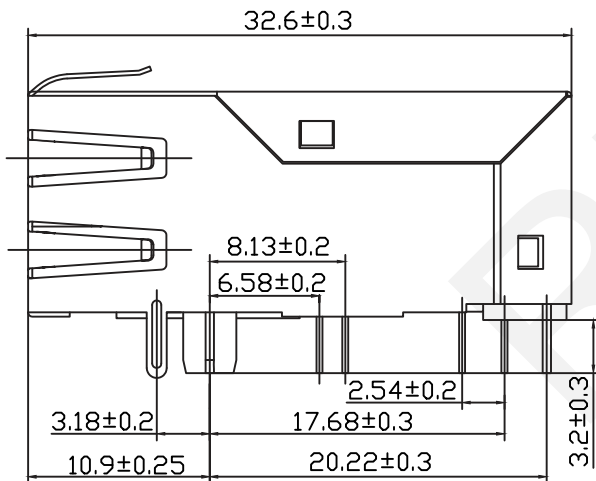


PCB BOARD LAYOUT



RIGHT LED			LEFT LED		
PIN 17	PIN 18	Color	PIN 19	PIN 20	Color
-	+	YELLOW	+	-	ORANGE
			-	+	GREEN

TOLERANCES UNLESS OTHERWISE SPECIFIED :
 0~10±0.15、10~20±0.2、20~40±0.25、
 40~70±0.3、≥70±0.4

RHTECP NINGBO RHT ELECTRONIC CO.,LTD

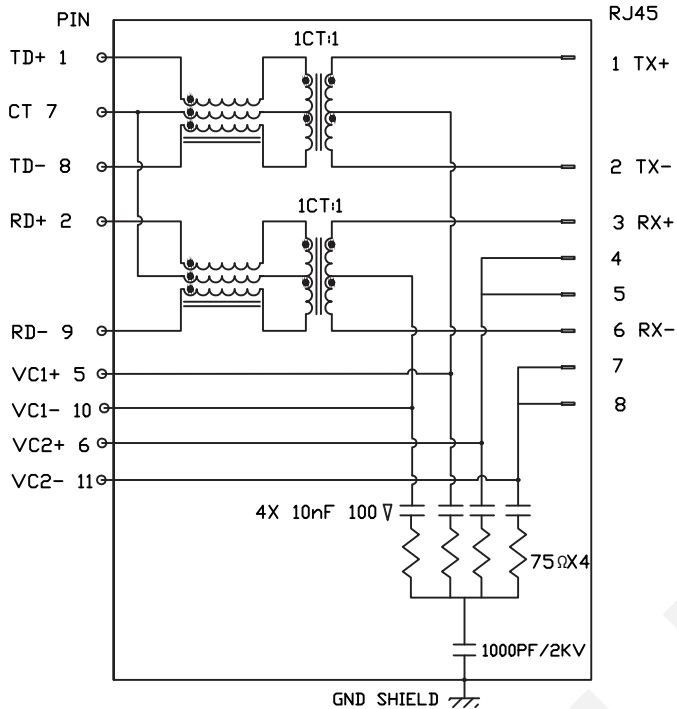
UNITS:mm	SHEET SIZE: A4	SCALE:---	DRWN BY PAN
0~3	3~18	18~50	50~120
±0.12	±0.15	±0.3	±0.5
CHK'D BY FENG			
APPR BY ZHAN			

Modular Jack with transformer

THIRD ANGLE PROJECTION



RHTLY20L005



SPECIFICATIONS

Meets IEEE802.3 specification

ELECTRICAL:

CURRENT RATING: 1.5A
 VOLTAGE RATING: 125V AC
 INSULATION RESISTANCE: 500M Ω Mini
 WITHSTAND VOLTAGE: AC 1500 V RMS 50Hz OR 60Hz 1 Min
 CONTACT RESISTANCE: 20m Ω Max
 Inductance: 350uH minimum DCL with 8mA bias current

MECHANICAL:

INSERTION FORCE: 2 CONTACTS----350g 4 CONTACTS----500g
 6 CONTACTS----750g 8 CONTACTS----900g
 10 CONTACTS----1050g

RETENTION STRENGTH: 7.7Kg BETWEEN JACK AND PLUG

DURABILITY: 750 MATING CYCLES Mini

MATERIAL:

HOUSING:

- 1) GLASS FILLED PA66 (UL 94V-0)
- 2) GLASS FILLED PA46 (UL 94V-0)
- 3) GLASS FILLED PBT (UL 94V-0)

SPRING WIRE:

- 1)0.45mm DIA PHOSPHOR BRONZE GOLD PLATING OVER NICKEL
- 2)0.35mm THICKNESS PHOSPHOR BRONZE ALLOY SELECTIVE GOLD PLATING OVER NICKEL

SHIELDING: 0.24mm THICKNESS COPPER ALLOY WITH TIN PLATED

GOLD PLATING: 3u", 6u", 15u", 30u", 50u"

WORKING TEMPERATURE: -40°C~70°C

TOLERANCES UNLESS OTHERWISE SPECIFIED :

0~10 \pm 0.15、10~20 \pm 0.2、20~40 \pm 0.25、40~70 \pm 0.3、 \geq 70 \pm 0.4

ELECTRICAL SPECIFICATIONS AT 25

Insertion Loss dB max	Return Loss dB min			Crosstalk(dB TYP)			Common Mode Rejection (dB TYP)		Hipot (vrms)
	1-30MHz	30-60MHz	60-100MHz	1-30MHz	30-60MHz	60-100MHz	1-50MHz	50-150MHz	
-1.0	-18	-16	-12	-40	-35	-30	-30	-20	1500

RHTECP NINGBO RHT ELECTRONIC CO.,LTD

UNITS:mm	SHEET SIZE: A4	SCALE:---	DRWN BY PAN
0~3	3~18	18~50	50~120
\pm 0.12	\pm 0.15	\pm 0.3	\pm 0.5
CHK'D BY FENG		APPR BY ZHAN	

Modular Jack with transformer

THIRD ANGLE PROJECTION



RHTLY20L005