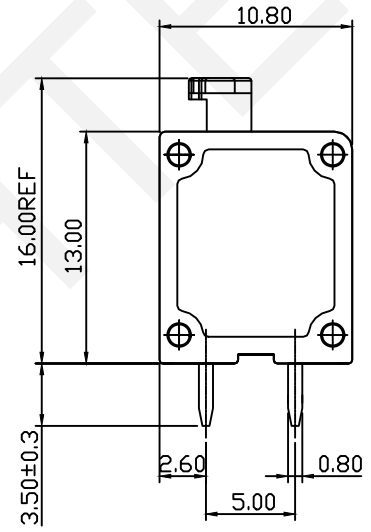
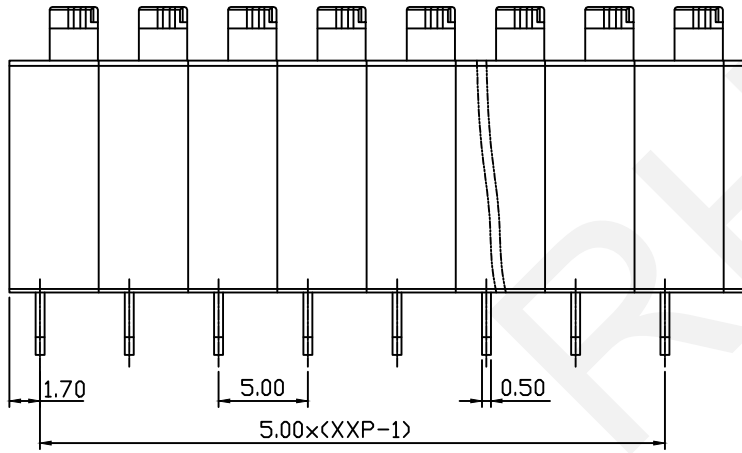


Recommended PCB Layout

Material:
 Housing:PA66,UL94V-0
 Pin Header:Copper,Sn Plated
 Strip Length:8~9mm
 Temp Range:-40°C~+105°C
 Soldering:260°C For 5s

Order Information
 RHTBY36-5.00-XXP-X

Terminal Block
 Pitch:5.00mm
 No. of (1~XX) Pins
 Color:1=Gray 2=Blue
 3=Black 4=Green 5=Orange
 6=Red 7=Transp 8=Yellow 9=White



Electrical Characteristics	UL	IEC
Rated Voltage	300V	320V
Rated Current	10A	10A
Withstand Voltage	1600V/1min	4.0KV
Wire Range	20~16 AWG	0.5~1.5mm ²

RHTECP NINGBO RHT ELECTRONIC CO.,LTD

UNITS:mm	SHEET SIZE: A4			SCALE:---	DRWN BY PAN
0~3	3~18	18~50	50~120	CHK'D BY FENG	THIRD ANGLE PROJECTION
±0.12	±0.15	±0.3	±0.5	APPR BY ZHAN	

5.00 Spring Terminal Blocks

RHTBY36-5.00-XXP-X