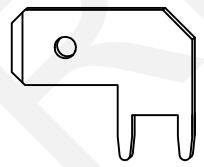


PCB HOLES



Technical Requirement:

1. Correct and clear marking, no breakage, burr, deformation, scratch of terminals
2. The surface coating is uniform, bright, without mildew, blackening, peeling and other defects.
3. The bending part of the product should not be mechanically damaged and not easily broken. The incision burr is $\leq 0.2\text{mm}$.
4. Material: Brass, Tin Plate
5. Type: 187 Type (4.8)
6. Applicable substrate: 16-2.0mm PCB

Order Information

RHTBY1130A-PCF-187A

Part Number

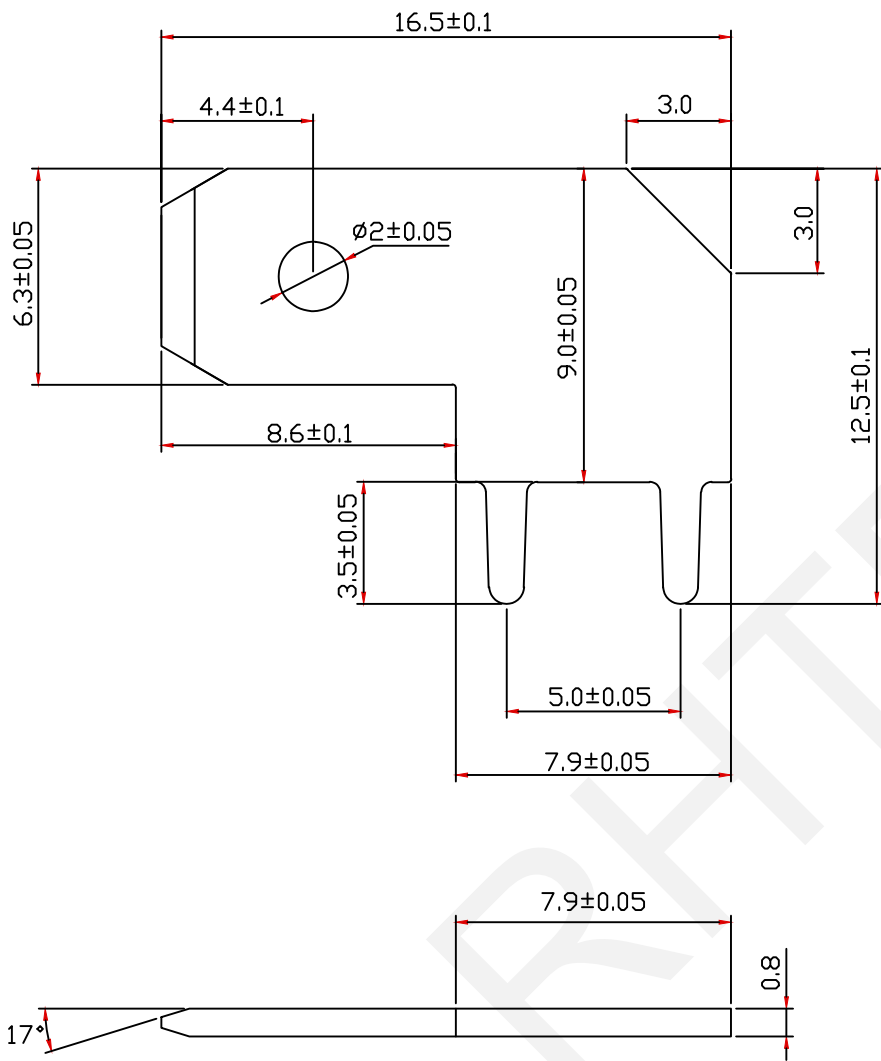
Model No.

RHTECP NINGBO RHT ELECTRONIC CO.,LTD

UNITS:mm	SHEET SIZE: A4			SCALE:---
0~3	3~18	18~50	50~120	
±0.12	±0.15	±0.3	±0.5	

DRWN BY PAN
CHK'D BY FENG
APPR BY ZHAN

PCB Solder terminals
THIRD ANGLE PROJECTION
RHTBY1130A-PCF-187A



Terminal Material: Brass,Natural colour

Technical requirements:

The mark shall be correct and clear, and the Terminal shall be free of fracture, burr, Deformation and scratch;

The surface coating should be uniform, bright, Free of mould spots, blackening, peeling and other Defects.

Undeclared R Angle:0.5mm,

Undeclared C Angle:0.5x45°

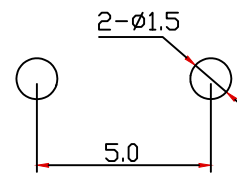
Undeclared Tolerance:±0.01mm

Order Information

RHTBY1130-PCF-250

Part Number

Model No.



Mounting holes

UNITS:mm	SHEET SIZE: A4			SCALE:---
0~3	3~18	18~50	50~120	
±0.12	±0.15	±0.3	±0.5	

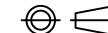
DRWN BY PAN

CHK'D BY FENG

APPR BY ZHAN

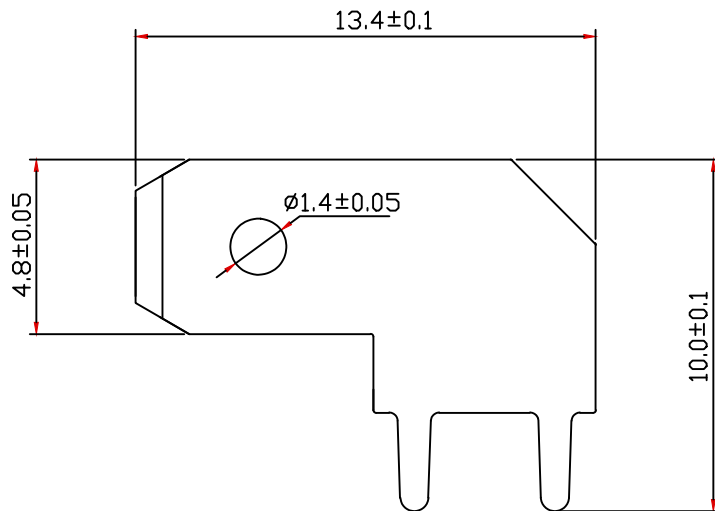
1.27x1.27mm Pitch Box Header Connector

THIRD ANGLE PROJECTION

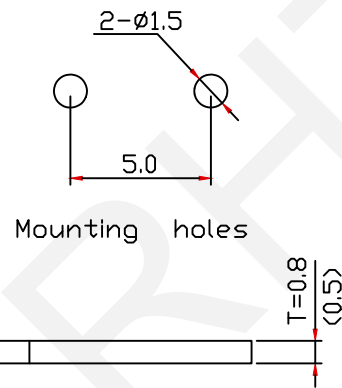


RHTBY1130-PCF-250

 NINGBO RHT ELECTRONIC CO.,LTD



Terminal Material: Brass,Natural colour
 Technical requirements:
 The mark shall be correct and clear, and the Terminal shall be free of fracture, burr, Deformation and scratch;
 The surface coating should be uniform, bright, Free of mould spots, blackening, peeling and Other Defects.
 Undeclared R Angle:0.5mm,
 Undeclared C Angle:0.5x45°
 Undeclared Tolerance:±0.01mm



Order Information

RHTBY1130-PCF-187

Part Number

Model No.

RHTECP NINGBO RHT ELECTRONIC CO.,LTD

UNITS:mm	SHEET SIZE: A4			SCALE:---
0~3	3~18	18~50	50~120	
±0.12	±0.15	±0.3	±0.5	

DRWN BY PAN
 CHK'D BY FENG
 APPR BY ZHAN

1.27x1.27mm Pitch Box Header Connector



RHTBY1130-PCF-187