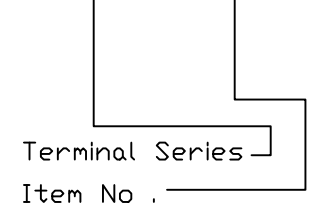


Mounting holes

ORDER INFORMATION
RHTBY1129-PC-250C



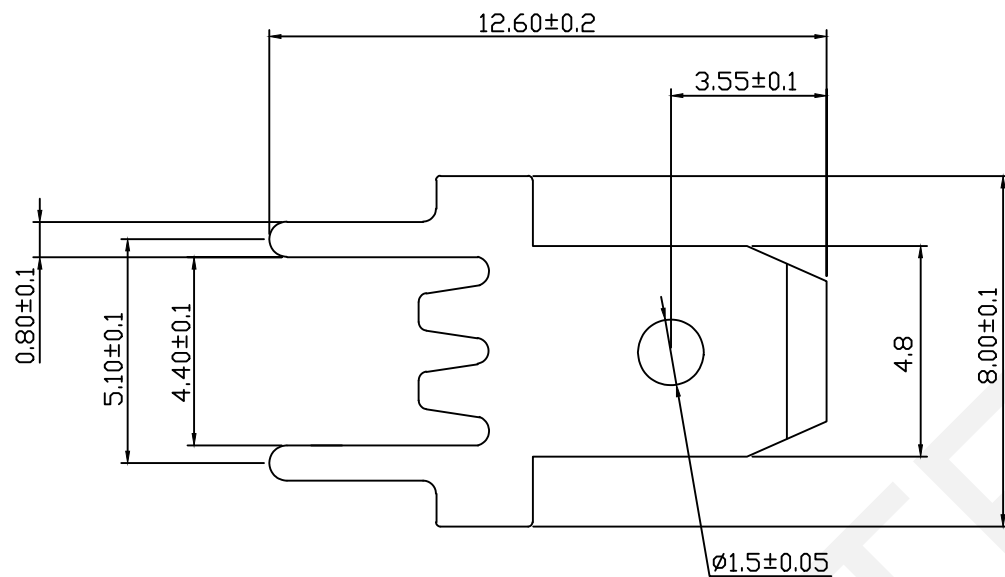
Terminal Series
Item No .

RHTECP NINGBO RHT ELECTRONIC CO.,LTD

UNITS:mm	SHEET SIZE: A4			SCALE:---
0~3	3~18	18~50	50~120	
±0.12	±0.15	±0.3	±0.5	

DRWN BY PAN
CHK'D BY FENG
APPR BY ZHAN

Terminal Material: Brass
THIRD ANGLE PROJECTION
RHTBY1129-PC-250C



Technical Requirement.

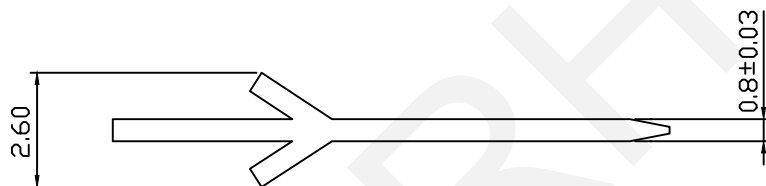
Material:H62, Tin Plating

The Mark Correct And Lucid,Terminal Should Be Without Fracture,Burr,Deformation And Scratches.

The Surface Coating Should Be Uniform,Sheeny,, Without Mildew Spot,Blackening,Delamination And Any Other Defects.

Products Bending Parts Should Not Have Any Mechanical Damages And Not Easy To Break, The Incision Burr ≤ 0.2 mm

Packing:Bag



UNITS:mm	SHEET SIZE: A4			SCALE:---
0~3	3~18	18~50	50~120	
±0.12	±0.15	±0.3	±0.5	

DRWN BY PAN

CHK'D BY FENG

APPR BY ZHAN

Quick Connects Terminal



RHTBY1129-PC-187C-0.8S

 NINGBO RHT ELECTRONIC CO.,LTD