

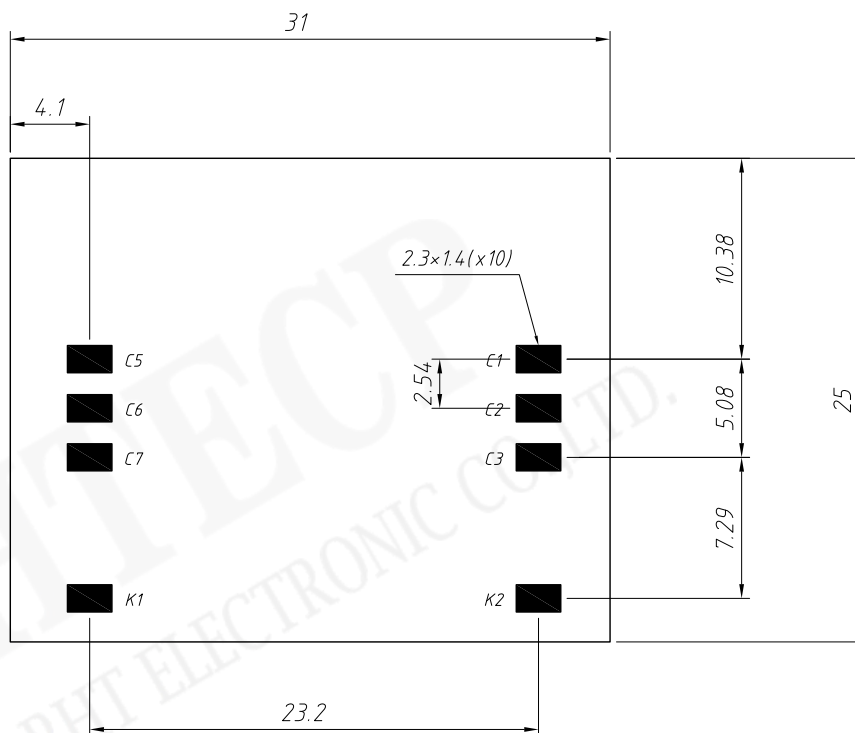
NINGBO RHT ELECTRONIC CO.,LTD

UNITS:mm	SHEET SIZE:A4		SCALE:---	
0~3	3~18	18~50	50~120	
±0.12	±0.15	±0.3	±0.5	

RE-C-SIM-014-6P-R

CONNECTORS

Card insertion direction
 Welding feet down



Technical requirements:

1. The appearance of the product is free from dirt, scratch and deformation
2. The plastic body has no burr and full shooting; the terminal has no oxidation and rust

Notes:

The thickness of spring gold plating layer can be changed according to customer's requirements

Material:

- 1.Bracket:LCP
- 2.Stem:LCP
- 3.Spring:Stainless steel
- 4.Putter:Stainless steel
- 5.Minor axis:Phosphorous copper
- 6.Z-shaped sheet:Stainless steel
- 7.Contact Form:Phosphorous copper,Bottom plating Ni, Contact point plating Au15u"

Recommended P.C.B Layout
 (PCB BOARD TOLERANCE ±0.05)



NINGBO RHT ELECTRONIC CO.,LTD

UNITS:mm

SHEET SIZE:A4

SCALE:---

RE-C-SIM-014-6P-R

0~3

3~18

18~50

50~120

±0.12

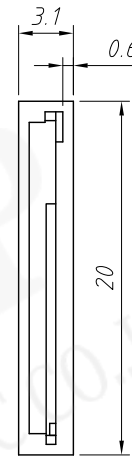
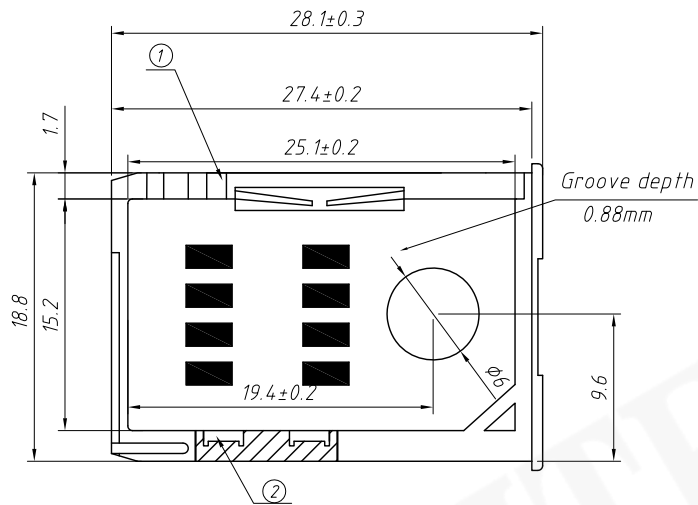
±0.15

±0.3

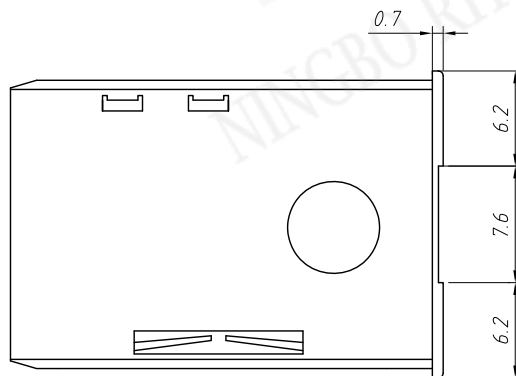
±0.5

CONNECTORS

SIM



Material:
 1.Drawer:PBT
 2.Contact:Phosphor copper,
 Bottom Ni $\geq 100\mu$ ",
 surface Au,thickness $\geq 15\mu$ "



Technical requirements:

1. The appearance of the product is free of dirt, scratch and deformation
2. The plastic body is free of burr and fullness; the contact piece is free of oxidation and rust

Note: the thickness of contact plate gold plating layer can be changed according to the customer's requirements



NINGBO RHT ELECTRONIC CO.,LTD

UNITS:mm

SHEET SIZE:A4

SCALE:---

RE-C-SIM-014-6P-R

0~3

3~18

18~50

50~120

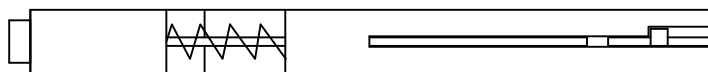
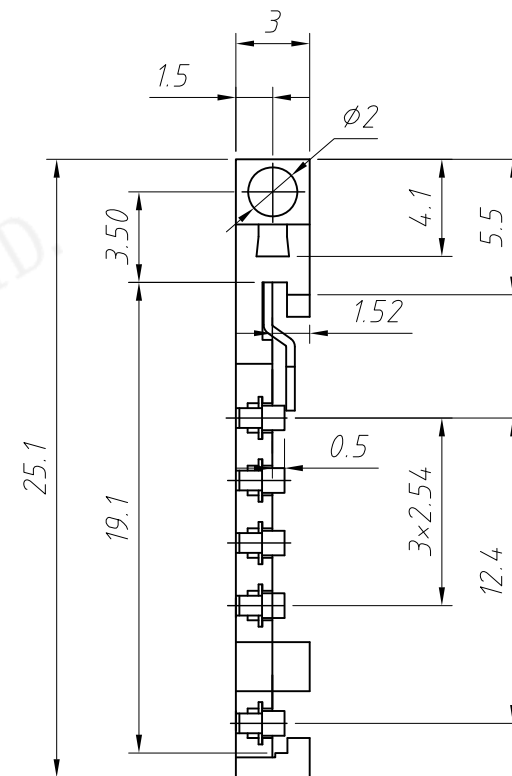
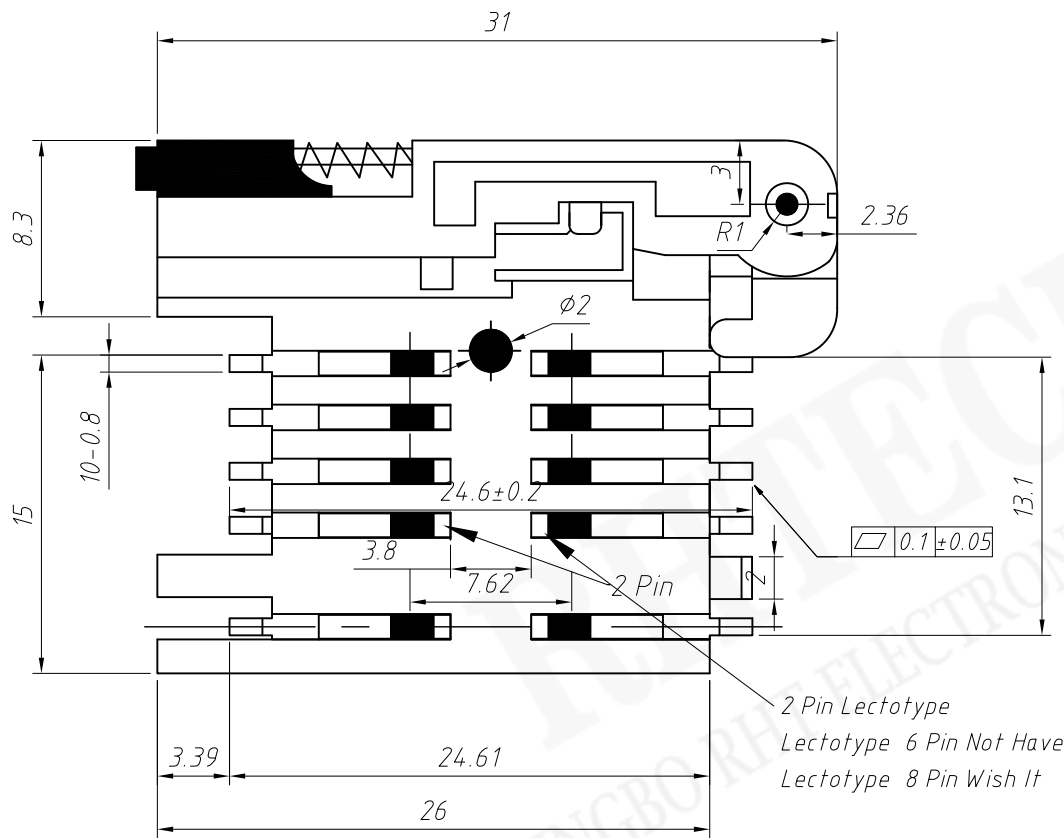
±0.12

±0.15

±0.3

±0.5

CONNECTORS



NINGBO RHT ELECTRONIC CO.,LTD

UNITS:mm

SHEET SIZE:A4

SCALE:---

RE-C-SIM-014-8P-R

0~3

3~18

18~50

50~120

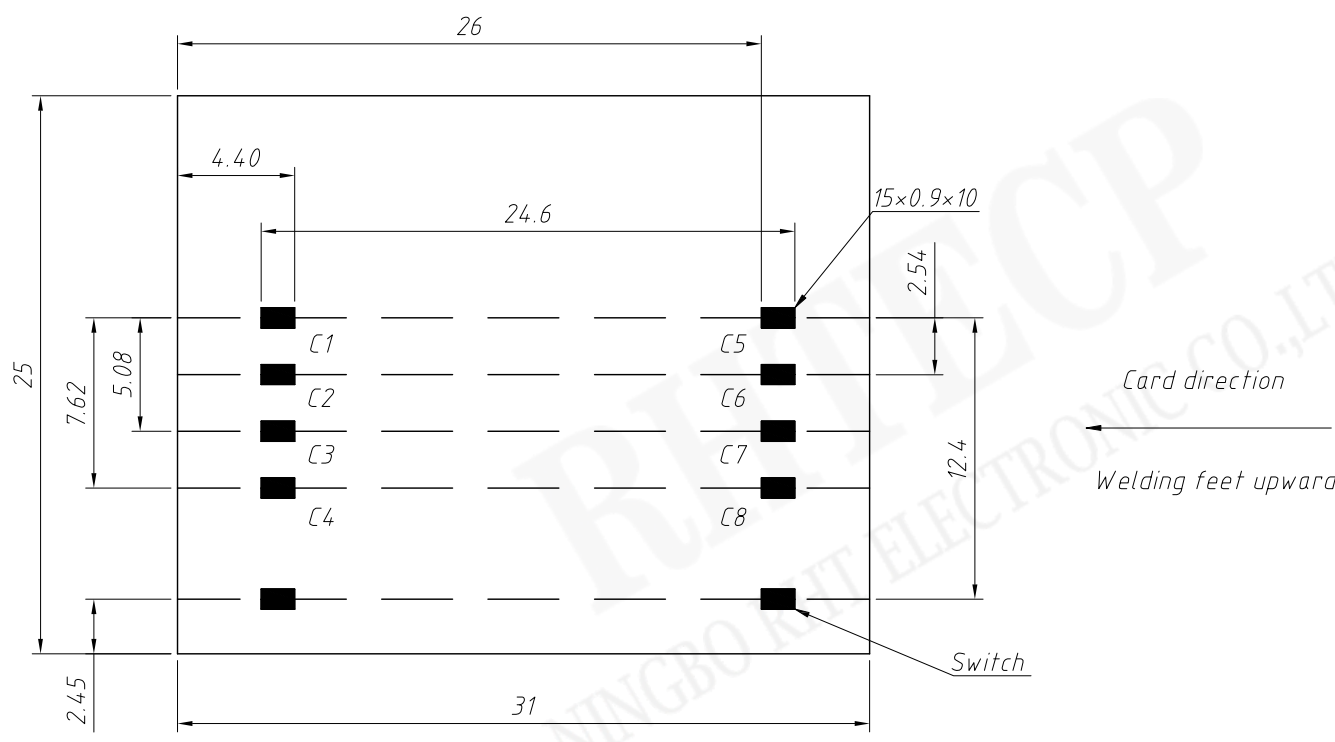
±0.12

±0.15

±0.3

±0.5

CONNECTORS



Material:
 Housing Material: LCP UL94V-0
 Contact Material: Tin-Bronze
 Package: Tape and Reel Package

Electrical Characteristics:
 Voltage rating: 5V (AC/DC) Max
 Current Rating: 10mA (AC/DC) Max
 Withstand voltage: 500V AC/1Minute
 Insulation resistance: $\geq 1000M\Omega$ Min At 500V AC
 Contact resistance: $\leq 30M\Omega$
 Life: >10000 Cycles
 Operating Temperature: $-45^{\circ}C \sim +105^{\circ}C$

RECOMMENDED PCB LAYOUT



NINGBO RHT ELECTRONIC CO.,LTD

UNITS:mm

SHEET SIZE:A4

SCALE:---

RE-C-SIM-014-8P-R

0~3

3~18

18~50

50~120

± 0.12

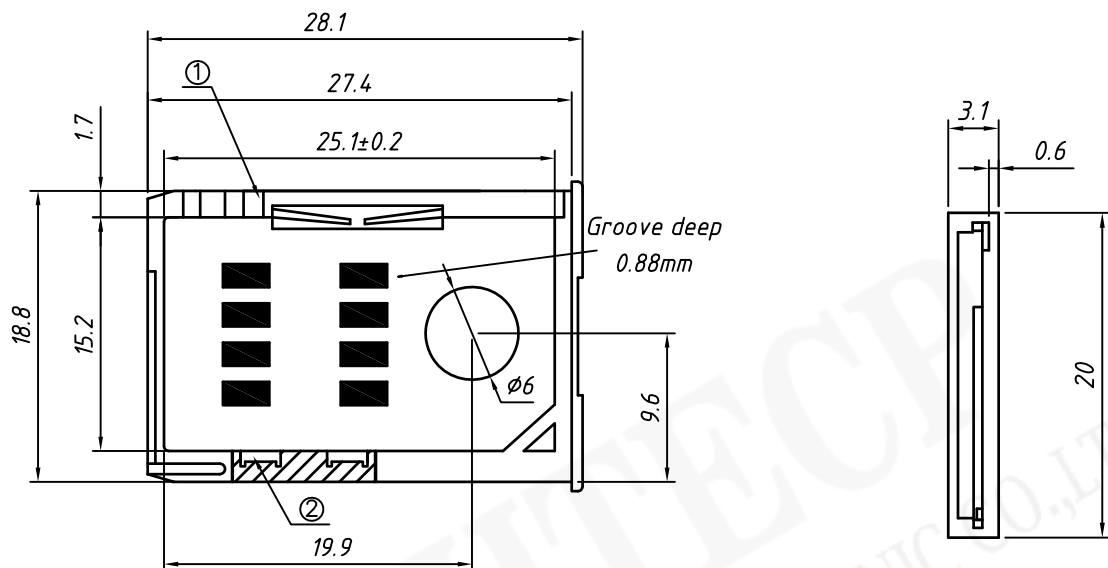
± 0.15

± 0.3

± 0.5

CONNECTORS

SIM



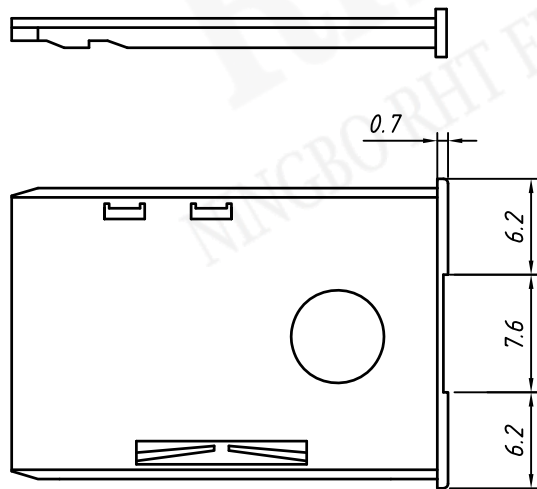
Material:

1.Drawer:PC

2.Contact:Phosphor copper,

Bottom Ni $\geq 100\mu''$,

surface Au,thickness $\geq 15\mu''$



Technical requirements:

1. The appearance of the product is free of dirt, scratch and deformation

2. The plastic body is free of burr and fullness; the contact piece is free of oxidation and rust

Note: the thickness of contact plate gold plating layer can be changed according to the customer's requirements



NINGBO RHT ELECTRONIC CO.,LTD

UNITS:mm

SHEET SIZE:A4

SCALE:---

RE-C-SIM-014-8P-R

0~3

3~18

18~50

50~120

±0.12

±0.15

±0.3

±0.5

CONNECTORS