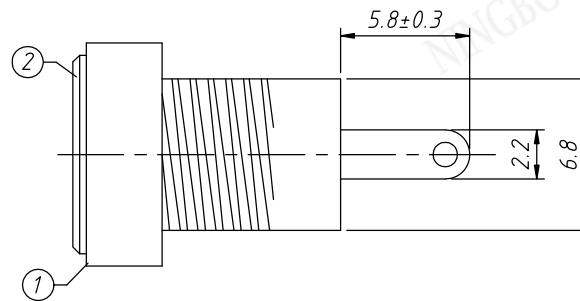
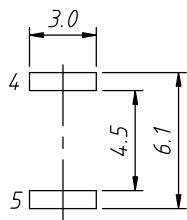
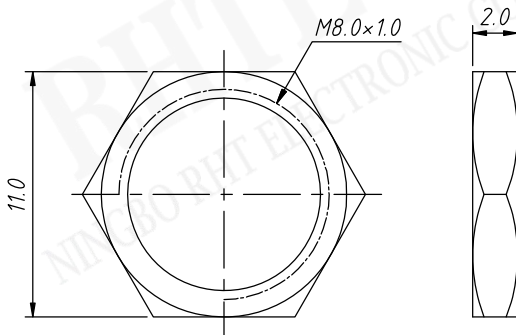


PCB LAYOUT TOP VIEW



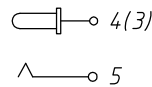
**SPECIFICATION**

Rated Load:DC 30V 0.5A  
 Contact resistance:30mΩ, max  
 Insulation resistance:100MΩ, min  
 Withstand Voltage:AC500V  
 Actuating Force:3-20N  
 Life:5000 cycles  
 Operating Temperature:-30°C-70°C



PIN	φ2.0	φ2.5
APPD		

SCHEMATIC



NO.	Description	QTY	Material	Plating
1	Housing	1	PBT	---
2	Axis Support	1	Brass	Ni-Plating
3	PIN	1	Brass	Ni-Plating
4	Contact Foot	1	Brass	Ag-Plating
5	Spring	1	Bronze	Ag-Plating