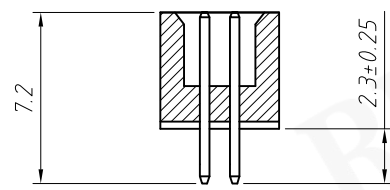
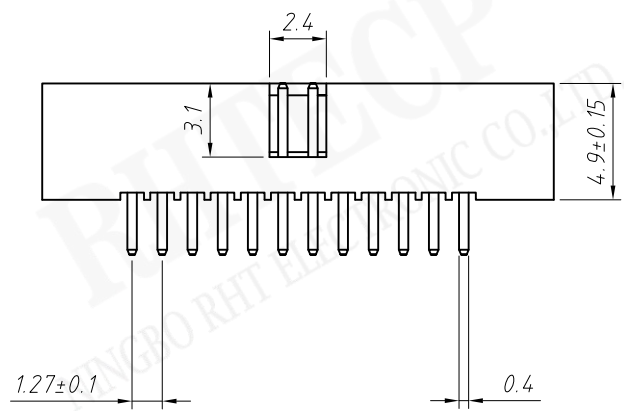


Recommended P.C.B Layout (Top Side)
(PCB BOARD TOLERANCE ±0.05)

Material:
Housing: PA6T or LCP, UL94V-0
Contact: Brass
Plating: Gold plated

Electrical Characteristics:
Rated Current: 1.0AMP
Contact Resistance: 20mΩ Max
Withstand Voltage: 500V AC/DC
Insulator Resistance: 1000MΩ Min

Mechanical
Operating Temperature: -40°C ~ +105°C
Max. Processing Temp: 230°C for 30-60 seconds (260°C for 10 seconds)

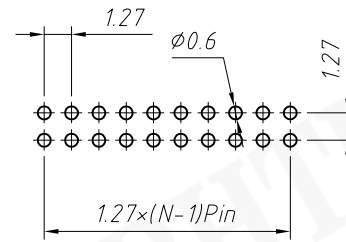
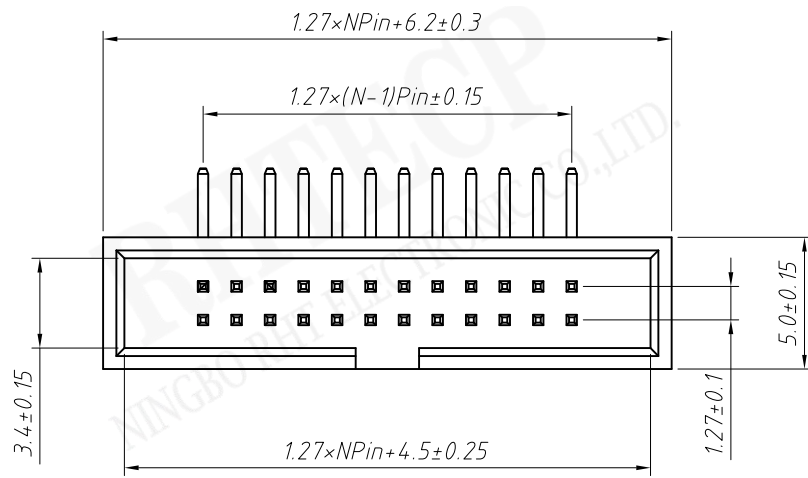


Order Information:

RE - C - 202C - XX - S - B - □

Box Header Series
202C: 1.27mm Pitch
XX-No. of 06 ~ 100 pins
Type: S - Straight pin
R - Right Angle Pin T - SMT
Color: B - Black G - Gray
Material: NONE = PA6T C = LCP
D = PA9T

UNITS:mm	SHEET SIZE:A4		SCALE:---
>0~3	>3~18	>18~50	>50~120
±0.12	±0.15	±0.3	±0.5

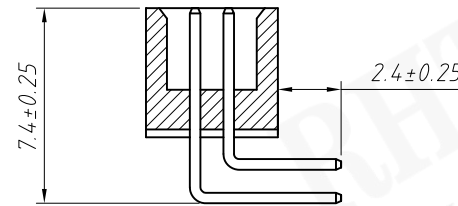
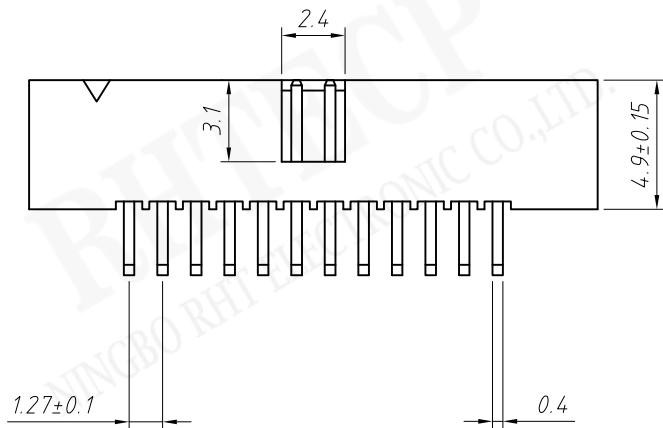


Recommended P.C.B Layout (Top Side)
(PCB BOARD TOLERANCE ±0.05)

Material:
Housing: PA6T or LCP, UL94V-0
Contact: Brass
Plating: Gold plated

Electrical Characteristics:
Rated Current: 1.0AMP
Contact Resistance: 20mΩ Max
Withstand Voltage: 500V AC/DC
Insulator Resistance: 1000MΩ Min

Mechanical
Operating Temperature: -40°C ~ +105°C
Max. Processing Temp: 230°C for 30-60 seconds (260°C for 10 seconds)



Order Information:

RE - C - 202C - XX - R - B - □

Box Header Series

202C: 1.27mm Pitch

XX - No. of 06 ~ 100 pins

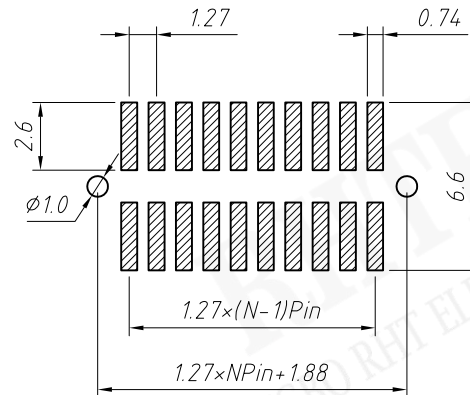
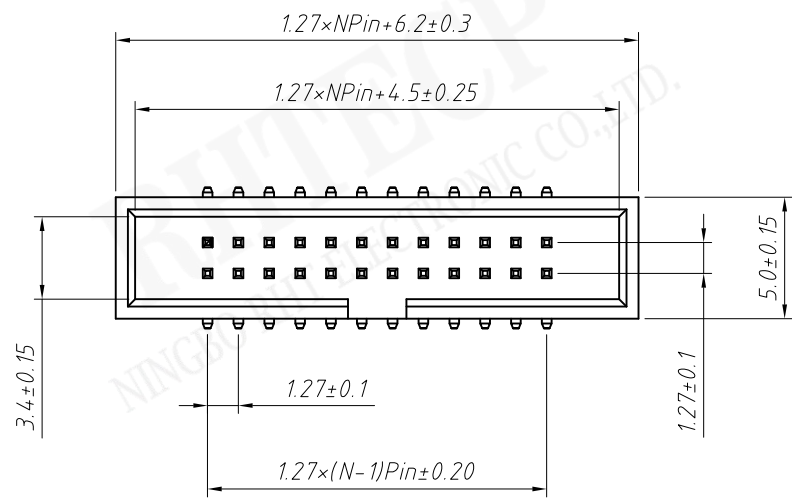
Type: S - Straight pin

R - Right Angle Pin T - SMT

Color: B - Black G - Gray

Material: NONE = PA6T C = LCP

D = PA9T



Recommended P.C.B Layout (Top Side)
(PCB BOARD TOLERANCE ± 0.05)

Material:
 Housing: PA6T or LCP, UL94 V-0
 Contact: Brass
 Plating: Gold plated

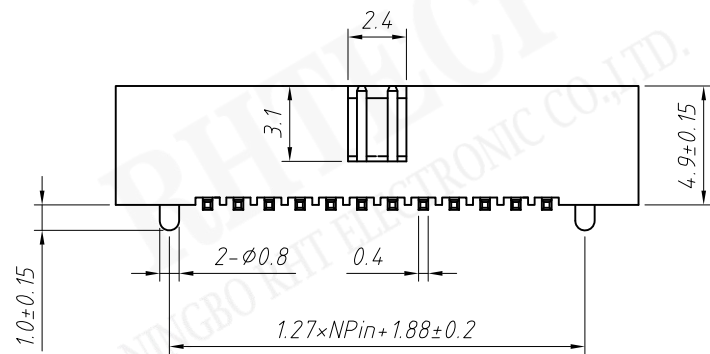
Electrical Characteristics:
 Rated Current: 1.0AMP
 Contact Resistance: 20m Ω Max
 Withstand Voltage: 500V AC/DC
 Insulator Resistance: 1000M Ω Min

Mechanical
 Operating Temperature: $-40^{\circ}\text{C} \sim +105^{\circ}\text{C}$
 Max. Processing Temp: 230°C for 30-60 seconds (260°C for 10 seconds)

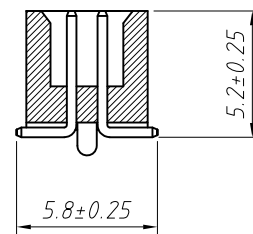
Order Information:

RE - C - 202C - XX - T - B - \square - T

Box Header Series
 202C: 1.27mm Pitch
 XX - No. of 06 ~ 100 pins
 SMT: T=Without Post
 T3=With Post
 Color: B-Black G-Gray
 Material: NONE=PA6T C=LCP
 D=PA9T
 Packing:
 T=Tube P=Tube+Cap R=Reel+Cap



T3=With Post



T=Without Post

